

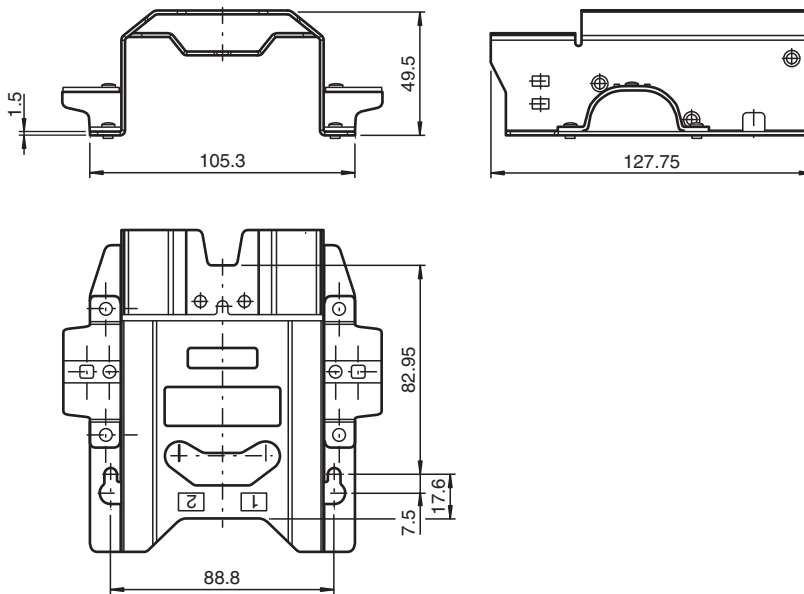
Protective cover

SH-F31K2-B32

- Protection against contamination and damage
- high-grade steel housing V4A
- One-piece housing for easy mounting

Protective cap for mechanical protection and for use in applications in conditions where moisture is present.

Dimensions



Technical Data

Mechanical specifications

Material

Stainless steel 1.4401/316