



**Model Number**

**ODT-MAC431-LD-WH-MC**

Stationary multicode read device for all common 1D, 2D, and Pharmacodes at speeds of 10 m/s, angled line of vision, side illumination, VGA resolution, Ethernet, VGA output, RS 232 interface

**Features**

- All common 1D or 2D codes can be read
- 30 scans per second
- High passage speed 10 m/s
- VGA output
- Integrated error image memory

**Function**

The stationary reader is a reading system for the recognition of data matrix codes. With a powerful signal processor and optimized decoding algorithms, the device delivers extremely high reading speeds.

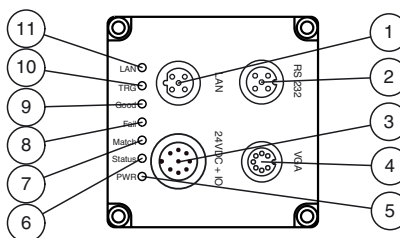
The configuration is easy and comfortable via the standard Ethernet interface using a standard web browser or via serial port.

The device is supported by an VGA video output. In addition, the device has an integrated error image memory.

Typical operative range of stationary readers are:

- Document handling
- Printing machines
- Identification in packaging and warehousing technology
- Detection of PCBs

**Indicating / Operating means**



1	Socket LAN
2	Socket RS 232
3	Connector 24VDC + IO
4	Socket VGA
5	PWR
6	Status
7	Match
8	Fail
9	Good
10	TRG
11	LAN

**Electrical connection**

**RS 232**



Pin	Signal
1	+UB
2	TX RS232
3	GND
4	RX RS232
5	IN 5 / OUT 3

**VGA**



Pin	Signal
1	OUT VSYNC
2	GND
3	OUT R
4	OUT G
5	GND
6	OUT B
7	OUT HSYNC

**LAN**



Pin	Signal
1	TX+ Ethernet
2	RX+ Ethernet
3	TX- Ethernet
4	RX- Ethernet

**(24 V DC + I/O)**



Pin	Signal
1	IN TRG / OUT 1
2	+UB
3	OUT Good / IN 1
4	OUT Fail / IN 2
5	IN 3
6	IN 4 / OUT 2
7	GND
8	OUT Match

Release date: 2012-04-24 14:40 Date of issue: 2013-09-03 240346\_eng.xml

**Technical data****General specifications**

Light type	Integrated LED lightning (white)
Symbologies	Maxi Code, PDF 417, Data Matrix, QR Code, MicroPDF 417, GoCode, UCC Composite, Aztec Code, Code 39, Code 128, UPC, EAN, JAN, Int 2 of 5, Codabar, Code 93, UCC RSS, POSTNET, PLANET, Japanese Post, Australia Post, Royal Mail, RM4SCC, KIX Code, Codablock, Pharmacode
Read distance	100 mm
Depth of focus	± 5 mm
Reading field	max. 50 mm x 30 mm
Modul size	≥ 0.33 mm
Sensor principle	Camera system
Evaluation frequency	max. 30 Hz
Target velocity	triggered ≤ 10 m/s

**Nominal ratings**

<b>Camera</b>	
Type	CMOS , Global shutter
Number of pixels	752 x 480 pixels
Gray scale	256
Image recording	real-time , Program-controlled or triggered externally

**Indicators/operating means**

Operating display	LED green: Ready for operation
LED indicator	for good/poor reading , Trigger , LAN , Match code

**Electrical specifications**

Operating voltage	$U_B$	24 V DC ± 15% , PELV
No-load supply current	$I_0$	max. 250 mA
Power consumption	$P_0$	6 W

**Interface**

Physical	Ethernet
Protocol	TCP/IP
Transfer rate	100 MBit/s
Cable length	max. 30 m

**Output**

Number/Type	4 electronic outputs, PNP
Switching voltage	24 V ± 15 %
Switching current	100 mA each output
Cable length	max. 30 m

**Output 1**

Output type	Video output, RGB (75 Ohm), 1 Vpp
Resolution	VGA, 800 x 600 pixels
Cable length	2 m

**Ambient conditions**

Ambient temperature	0 ... 45 °C (32 ... 113 °F)
Storage temperature	-20 ... 60 °C (-4 ... 140 °F)

**Mechanical specifications**

Protection degree	IP65
Connection	8-pin, M12x1 connector, standard (supply+IO) M12 x 1 female connector, 5-pin, standard (IO) 4-pin, M12x1 socket, standard (LAN) Video: 7-pin socket
<b>Material</b>	
Housing	powder coated diecast zinc
Mass	approx. 760 g

**Compliance with standards and directives**

<b>Directive conformity</b>	
EMC Directive 2004/108/EC	EN 61326-1 , EN 61000-6-4
<b>Standard conformity</b>	
Noise immunity	EN 61326-1
Emitted interference	EN 61000-6-4
Protection degree	EN 60529
Laser class	IEC 60825-1:2007

**Accessories****V19-G-2M-PUR-ABG**

Female cordset, M12, 8-pin, shielded, PUR cable

**V15S-G-5M-PUR-ABG**

Male cordset, M12, 5-pin, shielded, PUR cable

**V1SD-G-2M-PUR-ABG-V45-G**

Connection cable, M12 to RJ-45, PUR cable 4-pin, CAT5e

**V1SD-G-2M-PUR-ABG-V45X-G**

Connection cable, M12 to RJ-45, PUR cable 4-pin, CAT5e

**V19-G-2,5M-PUR-ABG-SUBD25**

Connection cable, M12 to SUB-D, PUR cable 8-pin

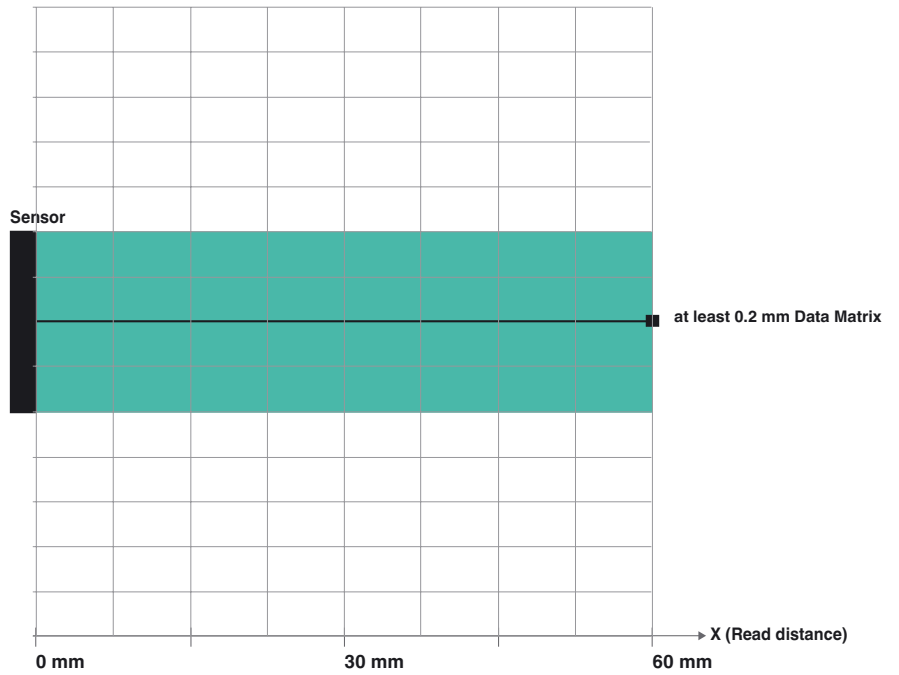
**ODZ-MAC-CAB-VIDEO**

Video cable VGA

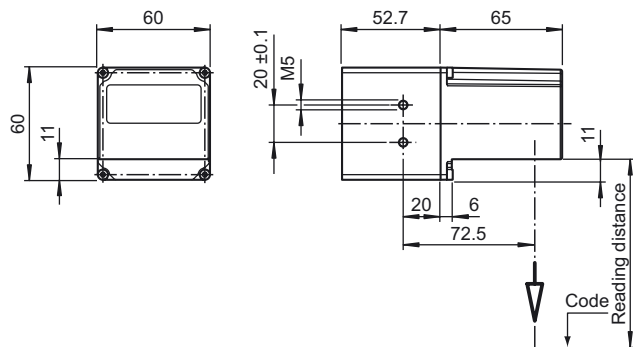
Other suitable accessories can be found at [www.pepperl-fuchs.com](http://www.pepperl-fuchs.com)



### Read range for various symbologies



### Dimensions



Release date: 2012-04-24 14:40 Date of issue: 2013-09-03 240346\_eng.xml

Refer to "General Notes Relating to Pepperl+Fuchs Product Information".

Pepperl+Fuchs Group  
www.pepperl-fuchs.com

USA: +1 330 486 0001  
fa-info@us.pepperl-fuchs.com

Germany: +49 621 776 4411  
fa-info@de.pepperl-fuchs.com

Singapore: +65 6779 9091  
fa-info@sg.pepperl-fuchs.com