



Model Number

NBB8-F148P10-E2-M-150MM-3DT04

Features

- 8 mm flush
- Extended temperature range
- E1-Type approval

Technical Data

General specifications

Switching element function	PNP	NO
Rated operating distance	s_n	8 mm
Installation		flush
Output polarity		DC
Assured operating distance	s_a	0 ... 6.48 mm
Reduction factor r_{Al}		0.4
Reduction factor r_{Cu}		0.35
Reduction factor r_{304}		0.75
Reduction factor r_{Brass}		0.45

Nominal ratings

Operating voltage	U_B	10 ... 60 V DC
Switching frequency	f	0 ... 500 Hz
Hysteresis	H	2 ... 20 % (typ. 3 %)
Reverse polarity protection		reverse polarity protected
Short-circuit protection		pulsing
Voltage drop	U_d	≤ 1.5 V
Operating current	I_L	0 ... 200 mA
Off-state current	I_r	≤ 10 μ A
No-load supply current	I_0	≤ 10 μ A
Time delay before availability	t_v	≤ 55 ms
Switching state indicator		LED, yellow

Functional safety related parameters

MTTF _d	1400 a
Mission Time (T _M)	20 a
Diagnostic Coverage (DC)	0 %

Ambient conditions

Ambient temperature	-40 ... 85 °C (-40 ... 185 °F)
Storage temperature	-40 ... 85 °C (-40 ... 185 °F)

Mechanical specifications

Connection type	cable with Deutsch connector 150 mm
Connection assembly	Deutsch housing DT 04-3 P-P004 Deutsch wedge W3P Deutsch contact 1060-16-0622
Core cross-section	0.75 mm ²
Housing material	anodized aluminum
Sensing face	PBT
Protection degree	IP67 / IP69K

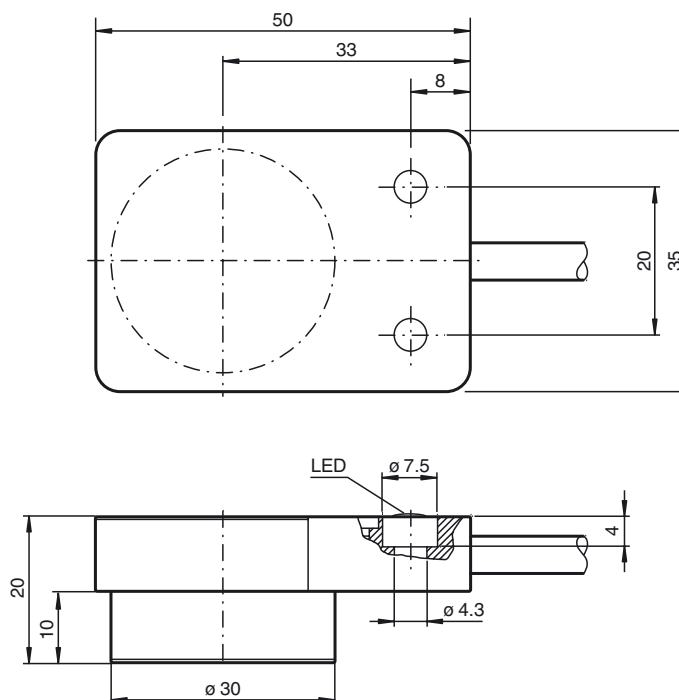
Compliance with standards and directives

Standard conformity	
Standards	EN 60947-5-2:2007 IEC 60947-5-2:2007

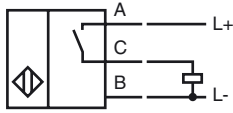
Approvals and certificates

E1 Type approval	10R-04
------------------	--------

Dimensions



Electrical Connection



Wire colors

A		BN
B		BU
C		BK