



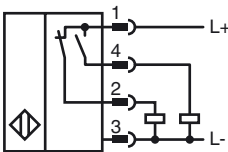
**Model Number**

NCB50-FP-A2-P1-V1-LEU

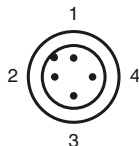
**Features**

- 50 mm flush
- 4-wire DC

**Connection**



**Pinout**



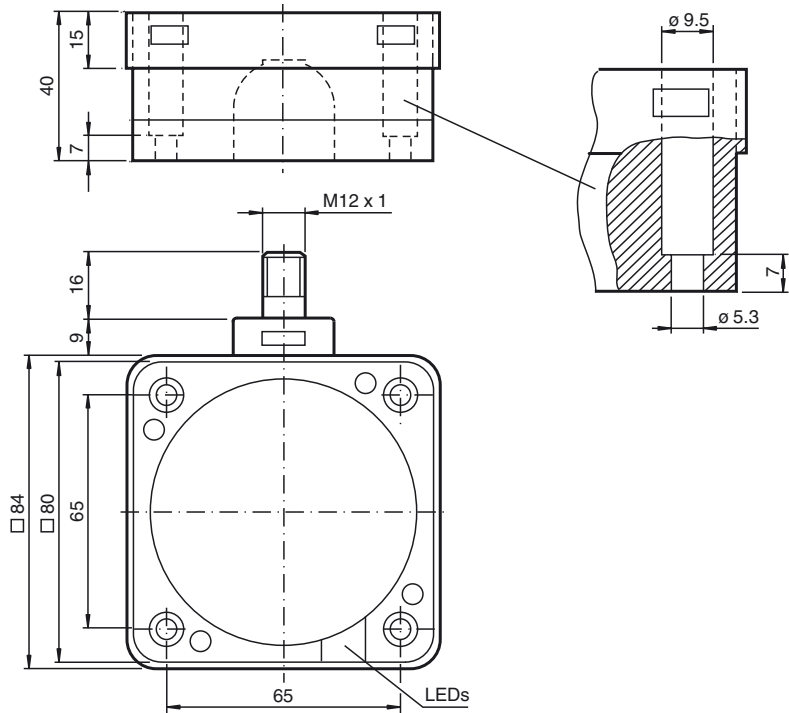
Wire colors in accordance with EN 60947-5-2

1	BN	(brown)
2	WH	(white)
3	BU	(blue)
4	BK	(black)

**Accessories**

- V1-G**  
Female connector, M12, 4-pin, field attachable
- V1-W-2M-PUR**  
Female cordset, M12, 4-pin, PUR cable
- V1-G-2M-PUR**  
Female cordset, M12, 4-pin, PUR cable
- V1-W**  
Female connector, M12, 4-pin, field attachable

**Dimensions**



**Technical Data**

**General specifications**

Switching element function	PNP	NO/NC
<b>LEUZE part number</b>	999999999	
Rated operating distance	$s_n$	50 mm
Installation	flush	
Output polarity	DC	
Assured operating distance	$s_a$	0 ... 40.5 mm
Reduction factor $r_{Al}$	0.38	
Reduction factor $r_{Cu}$	0.35	
Reduction factor $r_{304}$	0.83	

**Nominal ratings**

Operating voltage	$U_B$	10 ... 60 V DC
Switching frequency	$f$	0 ... 80 Hz
Hysteresis	$H$	typ. 3 %
Reverse polarity protection	reverse polarity protected	
Short-circuit protection	pulsing	
Voltage drop	$U_d$	$\leq 3$ V
Operating current	$I_L$	0 ... 200 mA
Off-state current	$I_r$	0 ... 0.5 mA
No-load supply current	$I_0$	$\leq 20$ mA
Time delay before availability	$t_v$	$\leq 300$ ms
Operating voltage display	LED, green	
Switching state indication	LED, yellow	

**Functional safety related parameters**

MTTF <sub>d</sub>	680 a
Mission Time ( $T_M$ )	20 a
Diagnostic Coverage (DC)	0 %

**Ambient conditions**

Ambient temperature	-25 ... 70 °C (-13 ... 158 °F)
---------------------	--------------------------------

**Mechanical specifications**

Connection type	Connector M12 x 1, 4-pin
Housing material	PBT
Sensing face	PBT
Housing base	PBT
Protection degree	IP68

**Compliance with standards and directives**

Standard conformity	
Standards	EN 60947-5-2:2007 IEC 60947-5-2:2007

**Approvals and certificates**

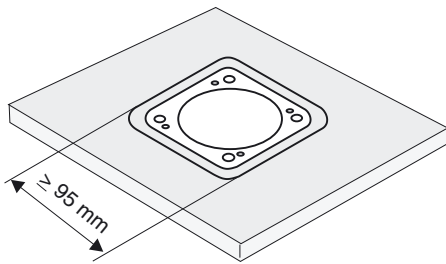
Protection class	II
------------------	----

Release date: 2013-04-05 09:54 Date of issue: 2013-04-05 242355\_eng.xml

**Installation hint**

These sensors are especially designed for embeddable mounting in conveyor floors. Due to its precise location in metal base plates the sensor is afforded a high degree of mechanical protection. No clearance is required between the sensor and the base plate, avoiding the need for protective guarding to prevent possible foot injury.

The large sensing range ensures positive detection, and thus provides consistent control and monitoring of the conveyor.



**Warning!**  
Once the metal screening has been removed, the sensor can no longer be embeddable mounted.