



**Model Number**

**NBB15-F148P10-ARS-M**

Relay output

**Features**

- 15 mm flush
- Relay output
- Extended temperature range

**Technical Data**

**General specifications**

Switching element function		1 electronic relay, N.O.
Rated operating distance	$s_n$	15 mm
Installation		flush
Output polarity		DC
Assured operating distance	$s_a$	0 ... 12.15 mm
Reduction factor $r_{Al}$		0.45
Reduction factor $r_{Cu}$		0.35
Reduction factor $r_{304}$		0.8
Reduction factor $r_{Brass}$		0.5

**Nominal ratings**

Operating voltage	$U_B$	10 ... 30 V
Switching frequency	$f$	0 ... 30 Hz
Hysteresis	$H$	2 ... 20 % (typ. 10 %)
Reverse polarity protection		reverse polarity protected
Short-circuit protection		no
Voltage drop	$U_d$	$\leq 0.5$ V ( $\leq 0.275$ V at $\leq 100$ mA operating current)
Operating current	$I_L$	0 ... 200 mA
Off-state current	$I_r$	$\leq 10$ $\mu$ A
No-load supply current	$I_0$	$\leq 10$ mA
Time delay before availability	$t_v$	$\leq 55$ ms
Switching state indicator		LED, yellow

**Functional safety related parameters**

MTTF <sub>d</sub>	1218 a
Mission Time (T <sub>M</sub> )	20 a
Diagnostic Coverage (DC)	0 %

**Ambient conditions**

Ambient temperature	-40 ... 85 °C (-40 ... 185 °F)
Storage temperature	-40 ... 85 °C (-40 ... 185 °F)

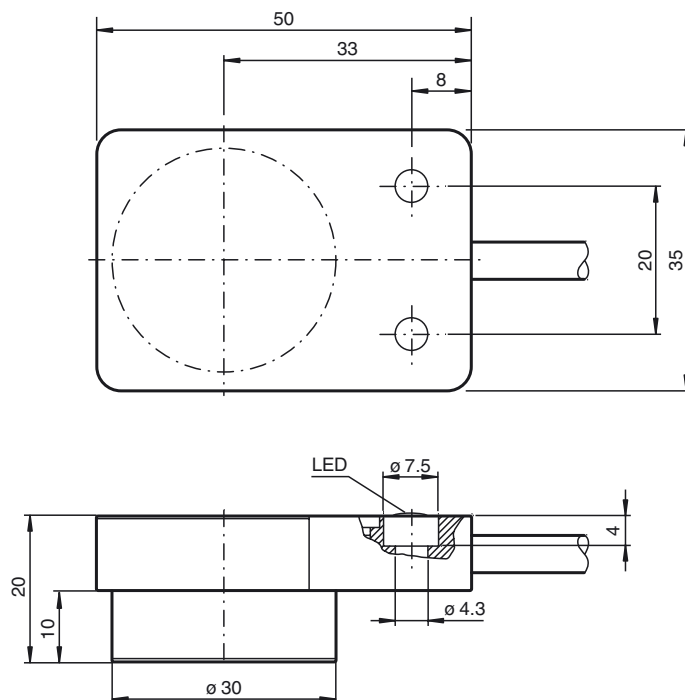
**Mechanical specifications**

Connection type	cable PUR , 2 m
Core cross-section	0.5 mm <sup>2</sup>
Housing material	anodized aluminum
Sensing face	PBT
Degree of protection	IP67 / IP69K

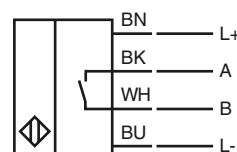
**Compliance with standards and directives**

Standard conformity	
Standards	EN 60947-5-2:2007 IEC 60947-5-2:2007

**Dimensions**



**Electrical Connection**



Release date: 2014-05-23 18:47 Date of issue: 2014-05-23 246463\_eng.xml