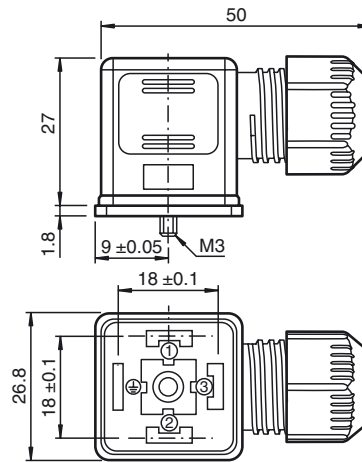




## Dimensions



## Model Number

**VMA-3+P**

Valve connector Form A, non pre-wired

## Features

- Valve connector as per EN 175301-803
- Degree of protection IP67

## Technical data

### General specifications

Number of pins 3 + PE

### Electrical specifications

Operating voltage  $U_B$  250 V AC / 300 V DC

Operating current  $I_B$  max. 16 A

Volume resistance  $< 4 \text{ m}\Omega$

### Ambient conditions

Ambient temperature  $-40 \dots 90 \text{ }^\circ\text{C}$  ( $-40 \dots 194 \text{ }^\circ\text{F}$ )

Storage temperature  $-40 \dots 125 \text{ }^\circ\text{C}$  ( $-40 \dots 257 \text{ }^\circ\text{F}$ )

### Mechanical specifications

Degree of protection IP67

Connection Valve connector Form A screw terminal for max.  $1.5 \text{ mm}^2$ ; 16 AWG

### Material

Contact surface Ag

Body PA, black

Seal NBR

### Cable

Sheath diameter 4 ... 9 mm

## Electrical connection

