

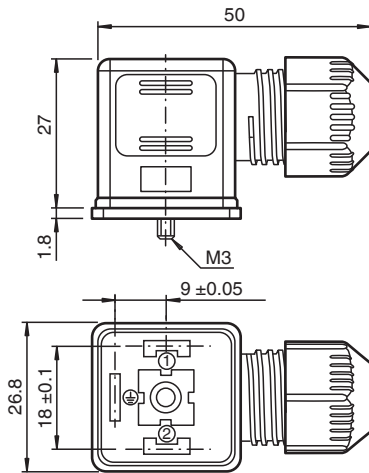


Valve connector, non pre-wired VMA-2+P

- Valve connector as per EN 175301-803
- Degree of protection IP67

Valve connector Form A, non pre-wired

Dimensions



Technical Data

General specifications			
Number of pins			2 + PE
Connection 1			Valve connector DIN
Construction type 1			right angle
Electrical specifications			
Operating voltage	U _B		250 V AC / 300 V DC
Operating current	I _B		max. 16 A
Volume resistance			< 4 mΩ
Ambient conditions			
Ambient temperature			-40 ... 90 °C (-40 ... 194 °F)
Storage temperature			-40 ... 125 °C (-40 ... 257 °F)
Mechanical specifications			
Degree of protection			IP67
Connection			Valve connector Form A screw terminal for max. 1.5 mm ² ; 16 AWG
Material			
Contact surface			Ag
Body			PA, black

Release date: 2020-09-03 Date of issue: 2020-09-03 Filename: 246772_eng.pdf

Refer to "General Notes Relating to Pepperl+Fuchs Product Information".

Technical Data

Seal	NBR
Cable	
Sheath diameter	4 ... 9 mm

Connection

