

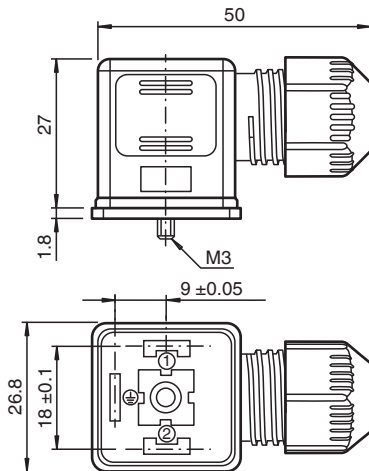


Valve connector, non pre-wired VMA-2+P/D2

- Valve connector according EN 175301-803 A/ISO 4400 (previously DIN 43650)
- Built-in LED, as operating and function indicator
- Freely selectable cable outlet due to rotating insert
- Seal included in the scope of delivery

Valve connector Form A, non pre-wired

Dimensions



Technical Data

General specifications

Number of pins	2 + PE
Connection 1	Valve connector DIN
Construction type 1	right angle

Indicators/operating means

LED red	Operating display
---------	-------------------

Electrical specifications

Operating voltage	U_B	24 V DC
Operating current	I_B	max. 16 A
Volume resistance		< 10 mΩ
Suppression		diode

Ambient conditions

Ambient temperature		-40 ... 90 °C (-40 ... 194 °F)
---------------------	--	--------------------------------

Mechanical specifications

Degree of protection		IP67
Connection		Valve connector Form A Screw terminals for 0.75 mm ² ... 1.5 mm ² M16 cable gland

Release date: 2020-09-03 Date of issue: 2020-09-03 Filename: 247258_eng.pdf

Refer to "General Notes Relating to Pepperl+Fuchs Product Information".

Pepperl+Fuchs Group
www.pepperl-fuchs.com

USA: +1 330 486 0001
fa-info@us.pepperl-fuchs.com

Germany: +49 621 776 1111
fa-info@de.pepperl-fuchs.com

Singapore: +65 6779 9091
fa-info@sg.pepperl-fuchs.com

PF PEPPERL+FUCHS

Technical Data

Material	
Contacts	CuZn ; CuSn
Contact surface	CuSn
Body	PA, transparent
Seal	NBR
Cable	
Sheath diameter	4 ... 9 mm

Connection

