



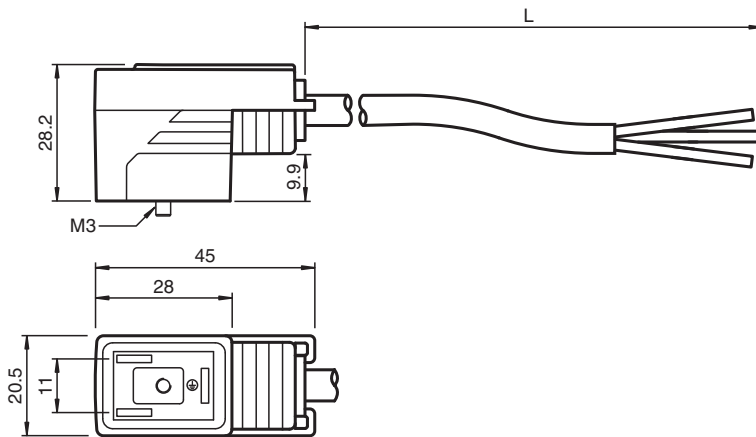
Valve Connector Cordset VMBI-2+P-5M-PUR

- Valve connector according EN 175301-803 A/ISO 4400
- Moulded seal
- Suitable for drag chains and abrasion resistant
- Immunity to vibration

Valve connector, Form B (Ind), 2+PE, PUR cable



Dimensions



Technical Data

General specifications

Connector 1	
Connection	Valve connector industrial version
Style	angled
Locking	screw connection
Number of pins	2 + PE
Connector 2	
Connection	cable end

Electrical specifications

Operating voltage	U_B	max. 230 V AC/DC
Operating current	I_B	max. 6 A

Conformity

Degree of protection	EN 60529
Plug connection	Valve Connector Cordset : DIN EN 175301-803
Flammability	DIN VDE 0482 , DIN EN 50265-2-1
Halogen-free	DIN VDE 0472-815

Ambient conditions

Release date: 2023-09-04 Date of issue: 2023-09-04 Filename: 247706_eng.pdf

Refer to "General Notes Relating to Pepperl+Fuchs Product Information".

Pepperl+Fuchs Group
www.pepperl-fuchs.com

USA: +1 330 486 0001
fa-info@us.pepperl-fuchs.com

Germany: +49 621 776 1111
fa-info@de.pepperl-fuchs.com

Singapore: +65 6779 9091
fa-info@sg.pepperl-fuchs.com

 PEPPERL+FUCHS

Technical Data

Ambient temperature	
Plug connector	-20 ... 85 °C (-4 ... 185 °F)
Cable, fixed	-40 ... 80 °C (-40 ... 176 °F)
Cable, flexing	-20 ... 80 °C (-4 ... 176 °F)
Pollution degree	3
Mechanical specifications	
Plug connector	
Tightening torque	0.6 Nm
Tool installation	screw M3 x 29
Degree of protection	IP65/IP67
Cable	
according to IEC/EN 60228 (DIN VDE 0295) class 5	
Sheath diameter	4.5 mm
Bending radius	> 50 mm > 22.5 mm, fixed
Sheath color	dark grey (RAL 7021)
Number of cores	3
Core cross section	0.5 mm ²
Cores color	Core 1: black 1 Core 2: black 2 Core 3: green/yellow
Core construction	28 x 0.15 mm Ø
Length	L 5 m
Cable code	Li 9Y 11Y 3 x 0,50
Drag chain suitability	
Drag chain cycles	min. 15000000
Motion velocity	max. 5 m/s
Traverse distance	0.9 m
Acceleration	max. 30 m/s ²
Material	
Halogen-free	yes
Plug connector	
Body	TPU, black
Seal	TPU , molded
Contact surface	Sn
Flammability	V-0
Cable	
Sheathing	PUR
Core insulation	PP
UV resistance	yes
Oil resistance	good
Flammability	V-0

Connection

