



# Valve Connector Cordset

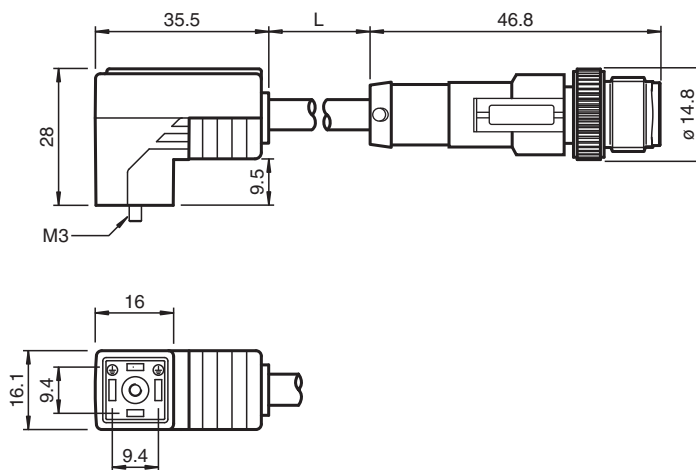
## VMCI-2+P/Z2-1M-PUR-V1-G

- Z diode as a protective circuit
- Built-in LED, as operating and function indicator
- Moulded seal
- freely selectable cable models due to bridged protective earth
- Flame resistant cable
- Suitable for drag chains and abrasion resistant
- Halogen-free

Valve connector Form C (Ind), Z-diode LED 2-pin+PE to M12 plug straight A-coded 3-pin, PUR cable black, drag chain suitable



### Dimensions



### Technical Data

| General specifications            |                                    |
|-----------------------------------|------------------------------------|
| <b>Connector 1</b>                |                                    |
| Connection                        | Valve connector industrial version |
| Construction type                 | form C                             |
| Style                             | angled                             |
| Locking                           | screw connection                   |
| Number of pins                    | 2 + PE                             |
| <b>Connector 2</b>                |                                    |
| Connection                        | plug                               |
| Construction type                 | M12                                |
| Style                             | straight                           |
| Locking                           | screw connection                   |
| Number of pins                    | 3                                  |
| Coding                            | A-coded                            |
| <b>Indicators/operating means</b> |                                    |
| LED yellow                        | Operating display                  |

Release date: 2023-07-05 Date of issue: 2023-07-05 Filename: 247713\_eng.pdf

Refer to "General Notes Relating to Pepperl+Fuchs Product Information".

Pepperl+Fuchs Group  
www.pepperl-fuchs.com

USA: +1 330 486 0001  
fa-info@us.pepperl-fuchs.com

Germany: +49 621 776 1111  
fa-info@de.pepperl-fuchs.com

Singapore: +65 6779 9091  
fa-info@sg.pepperl-fuchs.com

PEPPERL+FUCHS

## Technical Data

| Electrical specifications |                |  |
|---------------------------|----------------|--|
| Operating voltage         | U <sub>B</sub> | 24 V AC/DC   |
| Operating current         | I <sub>B</sub> | max. 4 A   |
| Suppression               |                | Zener diode  |
| Conformity                |                |  |
| Degree of protection      |                | EN 60529   |
| Plug connection           |                | Valve connector : DIN EN 175301-803                        |
| Flammability              |                | DIN VDE 0482 , DIN EN 50265-2-1 , UL 94                    |
| Halogen-free              |                | DIN VDE 0472-815   |
| UV resistance             |                | DIN EN ISO 4892-2-A  |
| Oil resistance            |                | DIN EN 60811-2-1   |
| Ambient conditions        |                |  |
| Ambient temperature       |                |  |
| Connector 1               |                | -20 ... 85 °C (-4 ... 185 °F)                              |
| Connector 2               |                | -25 ... 90 °C (-13 ... 194 °F)                             |
| Cable, fixed              |                | -40 ... 80 °C (-40 ... 176 °F)                             |
| Cable, flexing            |                | -20 ... 80 °C (-4 ... 176 °F)                              |
| Pollution degree          |                | 3  |
| Mechanical specifications |                |  |
| Connector 1               |                |  |
| Tightening torque         |                | 0.6 Nm   |
| Tool installation         |                | screw M3 x 29  |
| Mating cycles             |                | min. 100   |
| Connector 2               |                |  |
| Tightening torque         |                | 0.6 Nm   |
| Tool installation         |                | straight knurling  |
| Mating cycles             |                | min. 100   |
| Degree of protection      |                | IP65/IP67  |
| Cable                     |                |  |
| Sheath diameter           |                | 4.5 mm   |
| Bending radius            |                | > 50 mm<br>> 22.5 mm, fixed                                |
| Sheath color              |                | dark grey (RAL 7021)                                       |
| Number of cores           |                | 3  |
| Core cross section        |                | 0.5 mm <sup>2</sup>  |
| Cores color               |                | Core 1: black 1<br>Core 2: black 2<br>Core 3: green/yellow |
| Core construction         |                | 28 x 0.15 mm Ø   |
| Length                    | L              | 1 m  |
| Cable code                |                | Li 9Y 11Y 3 x 0,50   |
| Drag chain suitability    |                |  |
| Drag chain cycles         |                | min. 15000000  |
| Motion velocity           |                | max. 5 m/s   |
| Traverse distance         |                | 0.9 m  |
| Acceleration              |                | max. 30 m/s <sup>2</sup>                                   |
| Material                  |                |  |
| Halogen-free              |                | yes  |
| Connector 1               |                |  |
| Screw connection          |                | TPU, black   |
| Body                      |                | TPU , molded   |
| Contact surface           |                | Sn   |
| Flammability              |                | V-0  |
| Connector 2               |                |  |

Release date: 2023-07-05 Date of issue: 2023-07-05 Filename: 247713\_eng.pdf

Refer to "General Notes Relating to Pepperl+Fuchs Product Information".

Pepperl+Fuchs Group  
www.pepperl-fuchs.com

USA: +1 330 486 0001  
fa-info@us.pepperl-fuchs.com

Germany: +49 621 776 1111  
fa-info@de.pepperl-fuchs.com

Singapore: +65 6779 9091  
fa-info@sg.pepperl-fuchs.com

 PEPPERL+FUCHS

### Technical Data

|                  |                             |
|------------------|-----------------------------|
| Screw connection | Zinc diecast, nickel-plated |
| Body             | TPU, black                  |
| Contact surface  | Ni/Au                       |
| Flammability     | HB                          |
| <b>Cable</b>     |                             |
| Sheathing        | PUR                         |
| Core insulation  | PP                          |
| UV resistance    | yes                         |
| Oil resistance   | good                        |
| Flammability     | V-0                         |

### Connection

