



**Model Number**

**PHA300-F200-B6-V15B**

Precision positioning on hole in the 70 mm x 70 mm housing

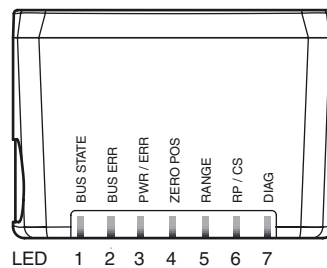
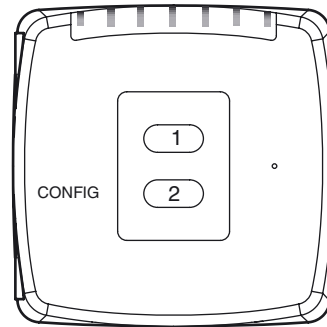
**Features**

- Detects the position of an index hole
- Large capture range
- High operating range
- Integrated contrast compensation
- Compact design
- Integrated illumination

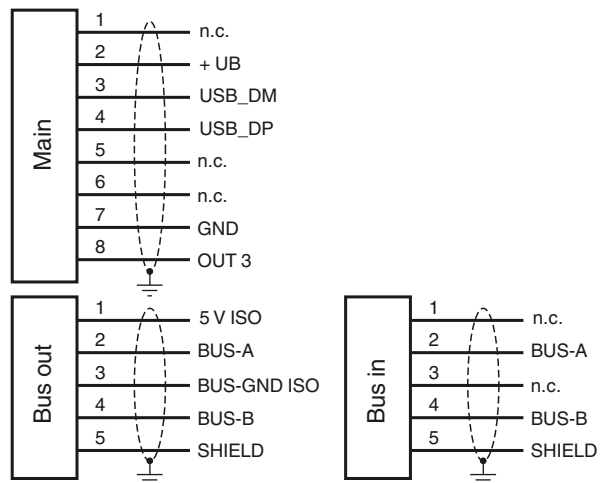
**Function**

The sensor has been developed for the precision positioning of high-bay racking operating equipment. It detects circular holes in the racking structure and their positional deviation from the nominal position. The sensor operates in two dimensions.

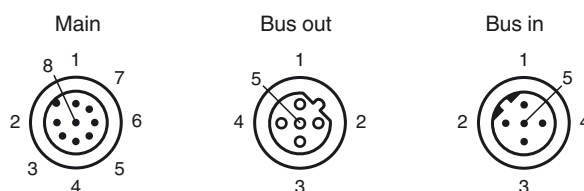
**Indicating / Operating means**



**Electrical connection**



**Pinout**



Release date: 2014-10-14 11:29 Date of issue: 2014-10-14 252323\_eng.xml

Refer to "General Notes Relating to Pepperl+Fuchs Product Information".

Pepperl+Fuchs Group  
www.pepperl-fuchs.com

USA: +1 330 486 0001  
fa-info@us.pepperl-fuchs.com

Germany: +49 621 776 4411  
fa-info@de.pepperl-fuchs.com

Singapore: +65 6779 9091  
fa-info@sg.pepperl-fuchs.com

**Technical data****General specifications**

Light type	Integrated LED lightning (infrared)
Object size	Hole diameter 13 mm
Response delay	100 ms
Read distance	300 mm
Depth of focus	± 50 mm
Capture range	max. 120 mm x 100 mm

**Nominal ratings**

Camera	
Type	CMOS , Global shutter
Number of pixels	752 x 480 pixels
Gray scale	256

**Functional safety related parameters**

MTTF <sub>d</sub>	20 a
Mission Time (T <sub>M</sub> )	10 a
Diagnostic Coverage (DC)	0 %

**Indicators/operating means**

Operation indicator	LED green: Ready for operation
Function indicator	7 LEDs (communication, alignment aid, status information)
Control elements	Button for parameterization

**Electrical specifications**

Operating voltage	U <sub>B</sub>	... 30 V DC +/- 15 %, PELV
No-load supply current	I <sub>0</sub>	max. 400 mA
Power consumption	P <sub>0</sub>	6 W

**Interface**

Interface type	PROFIBUS DP V0
Protocol	PROFIBUS DP acc. to EN 50170
Transfer rate	9.6; 19.2; 93.75; 187.5; 500; 1500 kBit/s 3; 6; 12 Mbit/s self-synchronizing

**Standard conformity**

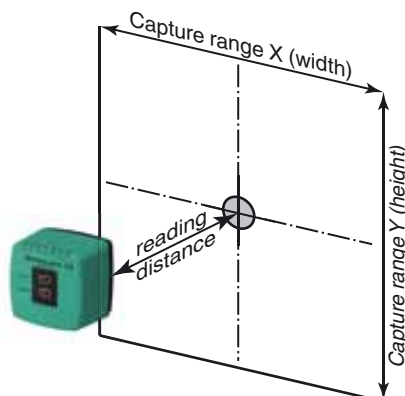
Noise immunity	EN 61000-6-2:2005
----------------	-------------------

**Ambient conditions**

Operating temperature	0 ... 60 °C (32 ... 140 °F) , -20 ... 60 °C (-4 ... 140 °F) (noncondensing; prevent icing on the lens!)
Storage temperature	-20 ... 85 °C (-4 ... 185 °F)
Relative humidity	90 % , noncondensing

**Mechanical specifications**

Degree of protection	IP67
Material	
Housing	PC/ABS
Optical face	Plastic pane
Installation	4 x M6 threading
Mass	approx. 200 g

**Curves / Diagrams****Accessories****V19-G-5M-PUR-ABG**

Female cordset, M12, 8-pin, shielded, PUR cable

**ICZ-TR-V15B**

Terminal resistor for PROFIBUS

**V15B-G-5M-PUR-ABG-V15B-G**

Bus cable PROFIBUS, M12 to M12, PUR cable

**V15B-G-2M-PUR-ABG-V15B-G**

Bus cable PROFIBUS, M12 to M12, PUR cable

**PCV-MB1**

Mounting bracket for PCV\* read head

**PCV-SC12A**

Grounding clip for PCV system

**PCV-SC12**

Grounding clip for PCV system

**V19-G-2M-PUR-ABG**

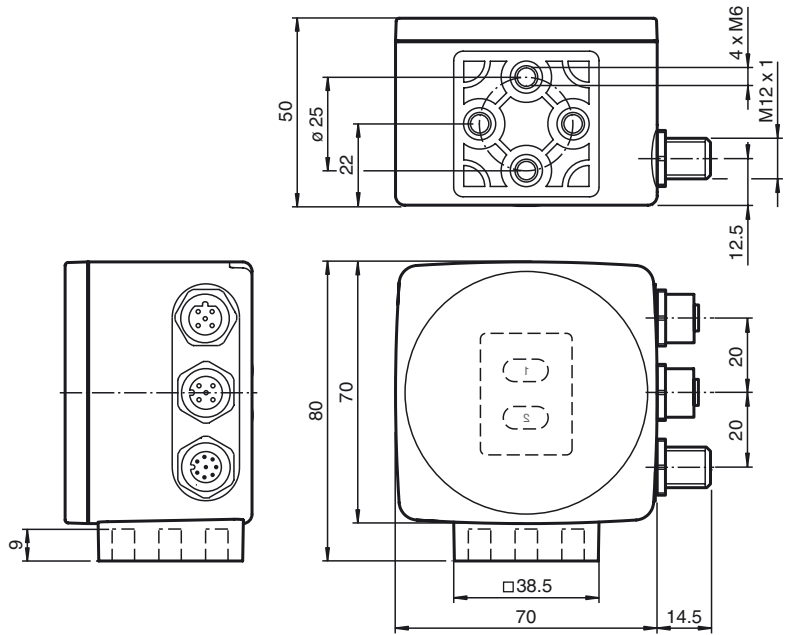
Female cordset, M12, 8-pin, shielded, PUR cable

**V19-G-10M-PUR-ABG**

Female cordset, M12, 8-pin, shielded, PUR cable

Other suitable accessories can be found at [www.pepperl-fuchs.com](http://www.pepperl-fuchs.com)

**Dimensions**



**General**

The PHA... Vision Sensor has been developed for the rack fine positioning of stock feeders. This device detects circular holes in the rack structure and determines the position deviation of these holes in relation to the target position. The Vision Sensor operates in two dimensions.

**Mounting and Commissioning**

Mount the PHA... Vision Sensor in such a way that the optical surface of the device captures the optimum distance to the carrier/hole (see "Technical Data"). The stability of the Vision Sensor mounting and the manner in which the vehicle is guided must ensure that the device is not operated outside of its depth of focus range.

All Vision Sensors can be adapted to optimally meet specific requirements by means of parameterization.

**Indicators and Controls**

The PHA... Vision Sensor is equipped with seven indicator LEDs for carrying out visual function checks and rapid diagnostics. The read head is equipped with two buttons at the back for activating the alignment aid and parameterization mode.

**LEDs**

LED	Color	Labeling	Meaning
1	Yellow	BUS STATE	PROFIBUS communication active
2	Red	BUS ERR	PROFIBUS communication error
3	Green/red	PWR/ERR	Fault with power supply/general error
4	Yellow	ZERO POS	Zero position reached
5	Yellow	RANGE	Within detection/capture range
6	Yellow	RP/CS	Relative position/cycle stop active
7	Red/green/yellow	DIAG	Internal diagnostics

**External Parameterization**

In order to parameterize the device externally, the parameterization code is required in the form of a data matrix containing the desired parameters. Data matrix code cards detailing the step-by-step process for externally parameterizing the device are printed in the operating instructions for the Vision Sensor.

The Vision Sensor can be parameterized only within ten minutes of being switched on. If a key is pressed after ten minutes of the device being switched on, a visual signal is given through the LEDs (LED1, yellow/LED2, red/LED3, green/LED4, yellow/LED5, yellow/LED6, yellow, flashing for two seconds)

- The Vision Sensor is switched over from normal operation to parameterization mode using button 2 on the back of the device. To switch the device over, button 2 must be pressed and held for more than two seconds. LED4 then flashes.  
**Note:** Parameterization mode is exited automatically if the device is inactive for one minute. In this case, the Vision Sensor reverts to normal mode and operates without the settings having been changed.
- Place the parameterization code in the field of vision of the camera module. After the parameterization code is detected, the yellow LED5 lights up. If a valid parameterization

Release date: 2014-10-14 11:29 Date of issue: 2014-10-14 252323\_eng.xml



code is accepted, the position LEDs on the front of the sensor light up for 1 second. In the event of an invalid parameterization code, LED3 lights up red for two seconds.

- Briefly pressing button 2 will end parameterization mode.

Release date: 2014-10-14 11:29 Date of issue: 2014-10-14 252323\_eng.xml