



Handheld reader OHV200-F221-B15

- All common 1-D or 2-D codes can be read
- Wireless Bluetooth connection
- Dual lens for large read range
- Reads from reflective surfaces
- Programmable with JavaScript
- Batch mode for collecting data on the handheld
- Audible, tactile, and visual user feedback
- Replaceable battery with status indicator
- Degree of protection IP65

Handheld reader with Bluetooth for all common 1-D and 2-D codes

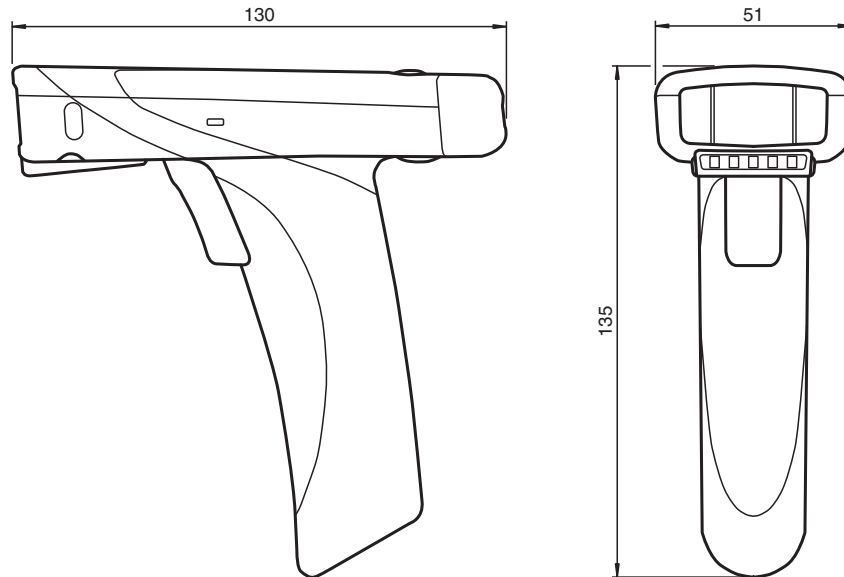


Function

The OHV200 handheld is a compact handheld reader for all common 1-D and 2-D codes. Special technology to prevent glare allows the device to accurately read codes on highly reflective surfaces. With its patented dual lens and a resolution of 1.2 million pixels, it can read both small and large codes from a wide range of distances. A different-colored target projection makes it easier to see the relevant code. Feedback comes in the form of a visual or audible signal or a vibration.

Using the Vision Configurator software, rule sets can be created for formatting read results without the need for extensive programming work. This facilitates integration into ERP systems. The read data is transferred via the Bluetooth interface or by plugging the handheld reader into the charger. Thanks to its robust housing and IP65 protection, the handheld reader is also suitable for outdoor use.

Dimensions



Technical Data

General specifications

Light type	Integrated LED lightning (red)
Readable codes	1-D Codes: Codabar, Code 11, Code 32, Code 39, Code 93, Code 128, IATA 2 of 5, Interleaved 2 of 5, GS1 DataBar, Hong Kong 2 of 5, Matrix 2 of 5, MSI Plessey, NEC 2 of 5, Pharmacode, Plessey, Straight 2 of 5, Telepen, Trioptic, UPC/EAN/JAN Stacked 1-D Codes: GS1 Composite, MicroPDF, PDF417 2-D Codes: Aztec Code, Code 49, Codablock F, Data Matrix, Han Xin, MaxiCode, Micro QR, QR Code Postal Codes: Australian Post, Intelligent Mail, Japan Post, KIX Code, Korea Post, Planet, Postnet, UK Royal Mail, UPU ID-tags
Read distance	40 ... 310 mm depending on the code type
Reading field	max. 190 mm x 290 mm
Modul size	min. 0.1 mm
Ambient light limit	96890 Lux
Target velocity	Stop

Nominal ratings

Camera	
Type	CMOS
Number of pixels	1280 x 960
Image recording	real-time , manually triggered

Indicators/operating means

Function indicator	3 LEDs
Key	3 programmable function keys

Electrical specifications

Supply	from Li-Ion battery
--------	---------------------

Release date: 2021-09-28 Date of issue: 2021-09-28 Filename: 252718_eng.pdf

Refer to "General Notes Relating to Pepperl+Fuchs Product Information".

Pepperl+Fuchs Group
www.pepperl-fuchs.com

USA: +1 330 486 0001
fa-info@us.pepperl-fuchs.com

Germany: +49 621 776 1111
fa-info@de.pepperl-fuchs.com

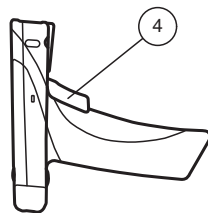
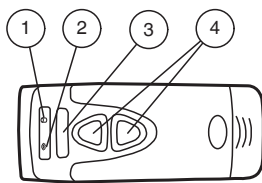
Singapore: +65 6779 9091
fa-info@sg.pepperl-fuchs.com

 **PEPPERL+FUCHS**

Technical Data


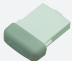

Interface	
Physical	Bluetooth (Class II) , USB 2.0
Transmitter frequency	2402 ... 2480 MHz (Bluetooth)
Transmitter radiated power	0.002 W
Compliance with standards and directives	
Standard conformity	
Electromagnetic compatibility	ETSI EN 301489-1:V1.9.2 ETSI EN 301489-17:V2.2.1 EN 61000-6-1:2007 EN 61000-6-2:2005/AC:2005 EN 61000-6-3:2007/A1:2011/AC:2012 EN 61000-6-4:2007/A1:2011
Safety	EN 60950-1:2006/A11:2009/A1:2010/A12:2011/AC:2011 EN 62311:2008
Radio spectrum	ETSI EN 300328:V1.8.1
Standards	EN 50581:2012
Approvals and certificates	
FCC approval	FCC ID: QQ6-BTR11
Ambient conditions	
Ambient temperature	-20 ... 55 °C (-4 ... 131 °F)
Storage temperature	-30 ... 65 °C (-22 ... 149 °F)
Relative humidity	5 ... 95 % non-condensing
Shock and impact resistance	Withstands multiple drops from 1.8 m / 6 ft onto a concrete surface
Mechanical specifications	
Degree of protection	IP65
Material	
Housing	plastic
Mass	219 g (incl. battery)
Dimensions	130 mm x 51 mm x 135 mm (l x w x h)
General information	
Scope of delivery	Handheld reader + Lithium ion battery, 1300 mAh

Assembly



1	Memory access	Green
2	Bluetooth	Green
3	Function indicator	Green
4	Trigger buttons	

Accessories

	Vision Configurator	Operating software for camera-based sensors
	OHV-BAT	Lithium ion battery, 1300 mAh
	OHV-BAT-CHARGER	Charger for OHV-BAT