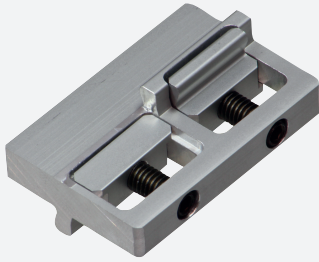


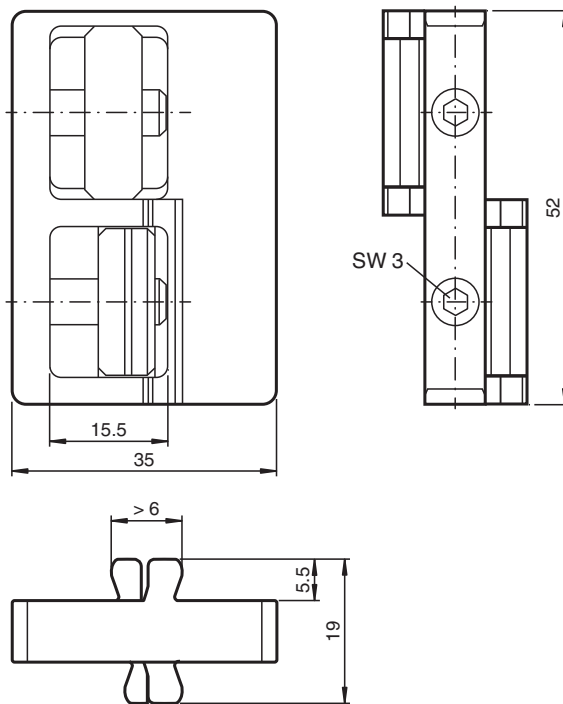
Mounting aid OMH-SLCT-10



- Clamp
- Connects two parts with groove
- Parts can be removed individually
- Flat housing
- Suitable for 6.0 mm ... 11.5 mm grooves

Clamp mounting suitable for 6 mm ... 11.5 mm groove

Dimensions



Technical Data

Ambient conditions

Ambient temperature	-40 ... 80 °C (-40 ... 176 °F)
Storage temperature	-40 ... 80 °C (-40 ... 176 °F)

Mechanical specifications

Material	
Housing	anodized aluminum
Mounting screw	Steel
Mass	approx. 38 g
Tightening torque, fastening screws	2.5 Nm

General information

Release date: 2020-11-09 Date of issue: 2020-11-09 Filename: 257731_eng.pdf

Refer to "General Notes Relating to Pepperl+Fuchs Product Information".

Pepperl+Fuchs Group
www.pepperl-fuchs.com

USA: +1 330 486 0001
fa-info@us.pepperl-fuchs.com

Germany: +49 621 776 1111
fa-info@de.pepperl-fuchs.com

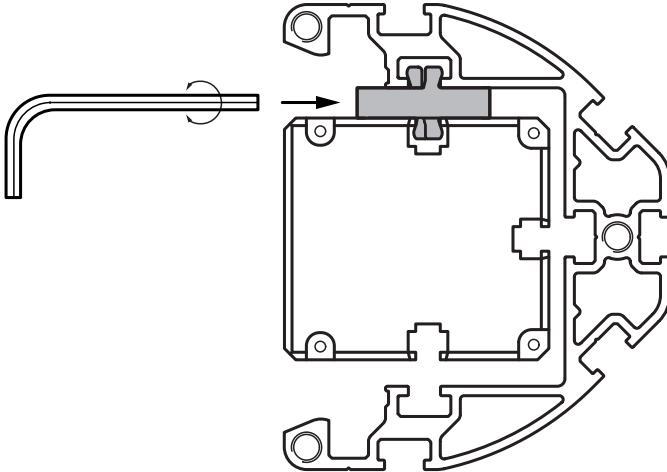
Singapore: +65 6779 9091
fa-info@sg.pepperl-fuchs.com

pf PEPPERL+FUCHS

Technical Data

Scope of delivery	Mounting aid ; Allen wrench SW3
Suitable series	
Safety Series	OMH-SLCT-100 OMH-SLCT-110 SLP / SLC LGS / LGM

Mounting



Mounting

Use at least two mounting brackets for mounting. The distance between the two mounting brackets must not exceed 600 mm.

Release date: 2020-11-09 Date of issue: 2020-11-09 Filename: 257731_eng.pdf

Refer to "General Notes Relating to Pepperl+Fuchs Product Information".

Pepperl+Fuchs Group
www.pepperl-fuchs.com

USA: +1 330 486 0001
fa-info@us.pepperl-fuchs.com

Germany: +49 621 776 1111
fa-info@de.pepperl-fuchs.com

Singapore: +65 6779 9091
fa-info@sg.pepperl-fuchs.com