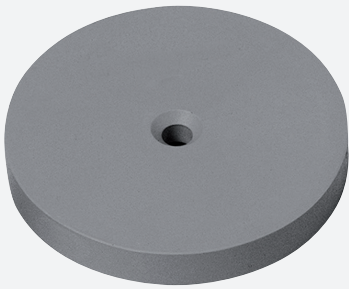


# Flat housing

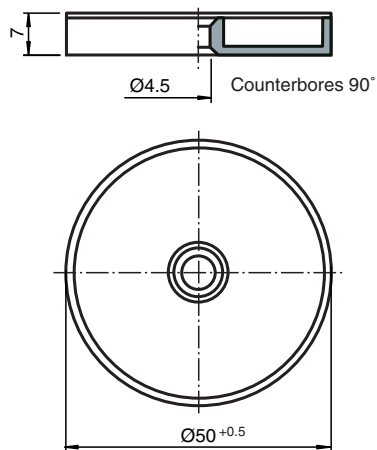
## IPZ-MH50 100pcs



- Suitable as distance retainer for code or data carrier IDENT-I System P und System V for mounting on metal
- Packaging unit: 100 pieces

Flat housing

### Dimensions



### Technical Data

<b>Ambient conditions</b>	
Storage temperature	-40 ... 85 °C (-40 ... 185 °F)
<b>Mechanical specifications</b>	
Material	
Housing	PBT

Release date: 2020-03-24 Date of issue: 2020-03-27 Filename: 258398\_eng.pdf

Refer to "General Notes Relating to Pepperl+Fuchs Product Information".

Pepperl+Fuchs Group  
www.pepperl-fuchs.com

USA: +1 330 486 0001  
fa-info@us.pepperl-fuchs.com

Germany: +49 621 776 1111  
fa-info@de.pepperl-fuchs.com

Singapore: +65 6779 9091  
fa-info@sg.pepperl-fuchs.com

**PF** PEPPERL+FUCHS