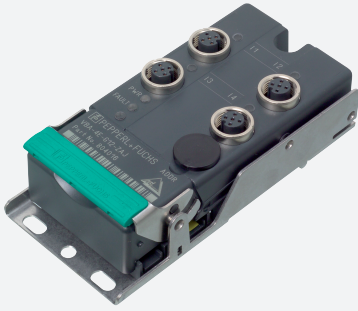


# AS-Interface sensor module

## VBA-4E-G12-ZEJ



- A/B node with extended addressing possibility for up to 62 nodes
- One-piece housing with stainless steel base
- Installation without tools
- Metal threaded inserts with SPEEDCON technology
- Flat cable connection with cable piercing technique, variable flat cable guide
- Communication monitoring
- Inputs for 2- and 3-wire sensors
- DIN rail mounting
- AS-Interface certificate

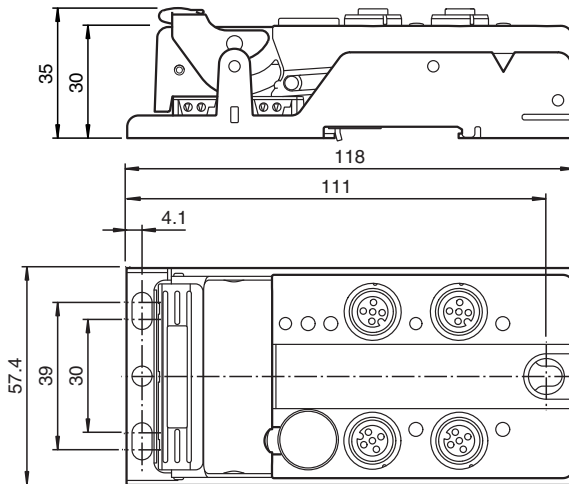
G12 flat module, 4 inputs (PNP)



### Function

The VBA-4E-G12-Z\*J is an AS-Interface trigger module with 4 inputs. 2- and 3-wire sensors as well as mechanical contacts can be connected to the plus switching electronic inputs. The solid housing permits fast mounting without tools as well as easy removal without tools. The stainless steel shell and the cast housing ensure durability and a high protection category. The connection to the AS-Interface cable is achieved via penetration technology in the integrated flat cable. The insert for the flat cables can be turned in two orientations. All connections to inputs are implemented via metal inserts for high stability. The connection to the sensors is achieved via a M12 x 1 circular connector with SPEEDCON quick locking option. The inputs and the connected sensors are supplied via the internal power supply of the module (from AS-Interface). To indicate the current switching state there is an LED for each channel fitted to the top of the module. An LED to indicate the AS-Interface voltage and that the module has an address of 0 is available, another indicates errors in the AS-Interface communication as well as periphery faults. This module can be mounted in any position using three screws or can be snapped onto the DIN rail using the stainless steel holder.

### Dimensions



### Technical Data

General specifications	
Node type	A/B node
AS-Interface specification	V3.0
Required gateway specification	≥ V2.1
Profile	S-0.A.0
IO code	0
ID code	A

Release date: 2023-03-28 Date of issue: 2023-03-28 Filename: 258421\_eng.pdf

Refer to "General Notes Relating to Pepperl+Fuchs Product Information".

Pepperl+Fuchs Group  
www.pepperl-fuchs.com

USA: +1 330 486 0001  
fa-info@us.pepperl-fuchs.com

Germany: +49 621 776 1111  
fa-info@de.pepperl-fuchs.com

Singapore: +65 6779 9091  
fa-info@sg.pepperl-fuchs.com

**PF** PEPPERL+FUCHS

## Technical Data

ID1 code	7	
ID2 code	0	
UL File Number	E223772	
<b>Indicators/operating means</b>		
LED FAULT	error display; LED red red: communication error or address is 0 red flashing: overload of sensor supply	
LED PWR	AS-Interface voltage; green LED green: voltage OK flashing green: address 0	
LED IN	switching state (input); 4 LED yellow	
<b>Electrical specifications</b>		
Rated operating voltage	$U_e$	26.5 ... 31.6 V from AS-Interface
Rated operating current	$I_e$	≤ 40 mA (without sensors) / max. 240 mA
Protection class	III	
Surge protection	$U_e$ : Over voltage category III, safe isolated power supplies (PELV) derived from mains up to 300 V AC line-to-neutral	
<b>Input</b>		
Number/Type	4 inputs for 2- or 3-wire sensors (PNP), DC	
Supply	from AS-Interface	
Voltage	21 ... 31 V	
Current loading capacity	≤ 200 mA, overload and short-circuit protected	
Input current	≤ 8 mA (limited internally)	
Switching point	according to DIN EN 61131-2 (Type 2)	
0 (unattenuated)	≤ 2 mA	
1 (attenuated)	≥ 6 mA	
Signal delay	< 1 ms (input/AS-Interface)	
<b>Directive conformity</b>		
Electromagnetic compatibility		
Directive 2014/30/EU	EN 62026-2:2013	
<b>Standard conformity</b>		
Degree of protection	EN 60529:2000	
Fieldbus standard	EN 62026-2:2013	
Input	EN 61131-2	
Emitted interference	EN 61000-6-4:2007	
AS-Interface	EN 62026-2:2013	
Noise immunity	EN 61000-6-2:2005 EN 62026-2:2013	
<b>Ambient conditions</b>		
Ambient temperature	-25 ... 70 °C (-13 ... 158 °F)	
Storage temperature	-25 ... 85 °C (-13 ... 185 °F)	
Relative humidity	85 % , noncondensing	
Altitude	≤ 2000 m above MSL	
Shock and impact resistance	30 g, 11 ms in 6 spatial directions 3 shocks 10 g, 16 ms in 6 spatial directions 1000 shocks	
Vibration resistance	0.75 mm 10 ... 57 Hz , 5 g 57 ... 150 Hz, 20 cycles	
Pollution degree	3	
<b>Mechanical specifications</b>		
Degree of protection	IP67	
Connection	cable piercing method flat cable yellow inputs: M12 round connector	
Material		
Housing	PBT	
Mass	200 g	
Tightening torque, cable gland	0.4 Nm	
Mounting	Mounting plate	

Release date: 2023-03-28 Date of issue: 2023-03-28 Filename: 258421\_eng.pdf

Refer to "General Notes Relating to Pepperl+Fuchs Product Information".

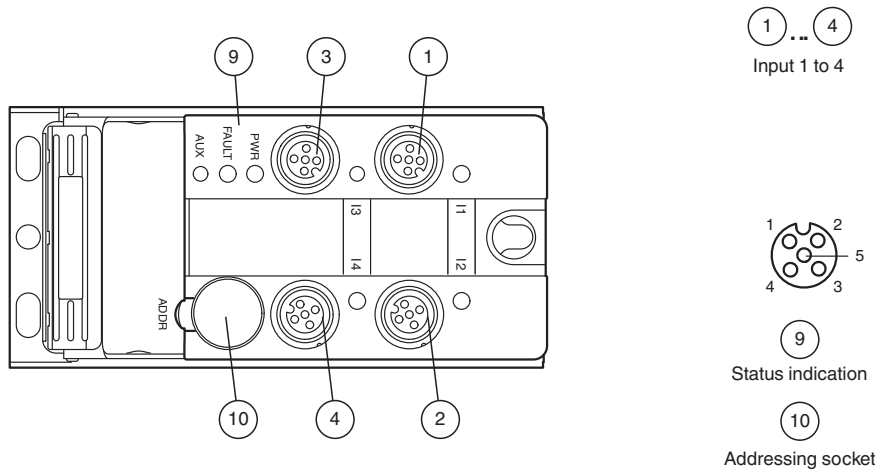
Pepperl+Fuchs Group  
www.pepperl-fuchs.comUSA: +1 330 486 0001  
fa-info@us.pepperl-fuchs.comGermany: +49 621 776 1111  
fa-info@de.pepperl-fuchs.comSingapore: +65 6779 9091  
fa-info@sg.pepperl-fuchs.com

**PEPPERL+FUCHS**

## Connection

Do not connect inputs and outputs, which are supplied via the module from AS-interface or via auxiliary power, with power supply and signal circuits with external potentials.

## Assembly



## Programming

**Data bits**  
(Function via AS-Interface)

Data bit	Input	Output
D0	IN1	-
D1	IN2	-
D2	IN3	-
D3	IN4	-

**Parameter bit**  
(programmable via AS-Interface)

Parameter bit	Function
P0	not used
P1	Input filter P1=0 filter on, pulse suppr. ≤ 2 ms P1=1 filter off, default setting
P2	Synchronous mode P2=0 Synchronous mode on P2=1 Synchronous mode off, default setting
P3	not used

## Connection

### Accessories

	<b>VAZ-V1-B3</b>	Blind plug for M12 sockets
	<b>VBP-HH1-V3.0-KIT</b>	AS-Interface Handheld with accessory
	<b>VAZ-PK-1,5M-V1-G</b>	Adapter cable module/hand-held programming device
	<b>VAZ-CLIP-G12</b>	lock for G12 module

Release date: 2023-03-28 Date of issue: 2023-03-28 Filename: 258421\_eng.pdf

Refer to "General Notes Relating to Pepperl+Fuchs Product Information".

Pepperl+Fuchs Group  
www.pepperl-fuchs.com

USA: +1 330 486 0001  
fa-info@us.pepperl-fuchs.com

Germany: +49 621 776 1111  
fa-info@de.pepperl-fuchs.com

Singapore: +65 6779 9091  
fa-info@sg.pepperl-fuchs.com