

RFID Transponder

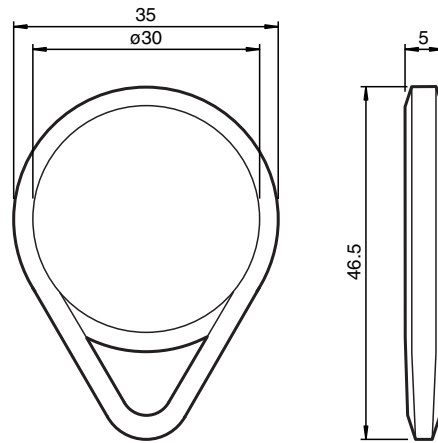
IPC03-20K6 10pcs

- Battery-free data carrier
- 32 bit fixcode
- 928 bits memory available
- Readable and writable from both sides
- Degree of protection IP67
- Key fob
- Packaging unit: 10 pieces

Data carrier



Dimensions



Technical Data

General specifications	
Operating frequency	125 kHz
Transfer rate	2 kBit/s
Color	green
Memory	
Chip Type	EM4450 Titan (EM Microelectronic)
EEPROM	928 Bit
Read cycles	unlimited
Write cycles	> 100000
Data retention period	> 10 years
Directive conformity	
Radio equipment	
Directive 2014/53/EU	EN 300330
RoHS	
Directive 2011/65/EU (RoHS)	IEC/EN 63000
Standard conformity	
Degree of protection	EN 60529

Release date: 2022-12-15 Date of issue: 2022-12-15 Filename: 261639_eng.pdf

Refer to "General Notes Relating to Pepperl+Fuchs Product Information".

Technical Data

RFID	ISO/IEC 18000-2
Ambient conditions	
Ambient temperature	-20 ... 80 °C (-4 ... 176 °F)
Storage temperature	-20 ... 80 °C (-4 ... 176 °F)
Mechanical specifications	
Housing length	46.5 mm
Housing width	35 mm
Housing height	5 mm
Housing diameter	35 mm
Degree of protection	IP67
Material	
Housing	PC (Polycarbonate)
Installation	
In air	yes
Construction type	Key fob
Note	Packaging unit, 10-piece

Application

The transponder can be read and written from either side.