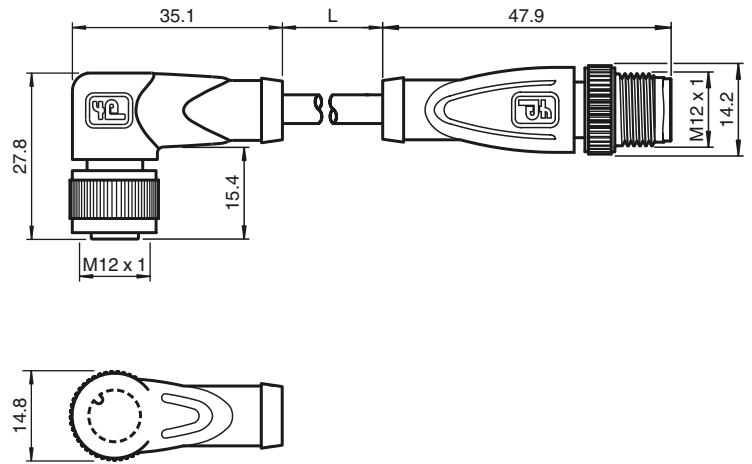




Dimensions



Model Number

V1-W-BK5M-PUR-A-V1-G-A2

Double-ended cordset, M12 to M12, LED, PUR cable, 4-pin

Features

- Built-in LED, as operating and function indicator
- Improved resistance to weld slag
- Suitable for drag chains
- Suitable for robotic applications / torsion resistant
- Flame resistant cable
- Halogen-free
- Resistant to microbes and hydrolysis
- Free from substances that impair paint wetting
- Immunity to vibration, with mechanical latching
- Knurled nut suitable for tool assembly

Technical data

General specifications

Number of pins	4
Connection 1	socket
Construction type 1	right angle
Threading 1	M12
Connection 2	Male connector
Construction type 2	straight
Threading 2	M12

Indicators/operating means

LED green	Operating display
LED yellow	Functional display NO contact

Electrical specifications

Operating voltage	U_B	max. 24 V DC \pm 15%
Operating current	I_B	max. 4 A
Volume resistance		< 5 m Ω

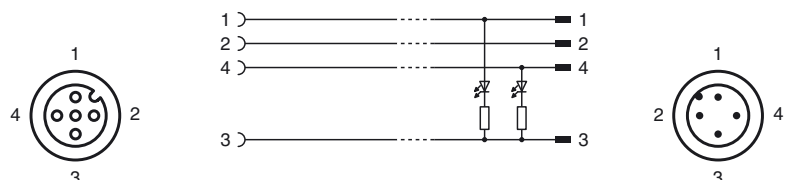
Ambient conditions

Ambient temperature	Body: -40 ... 90 °C (-40 ... 194 °F) cable, fixed: -40 ... 80 °C (-40 ... 176 °F) cable, flexing: -25 ... 80 °C (-13 ... 176 °F)
Pollution degree	3

Mechanical specifications

Contact elements	spring-loaded contact socket
Pin diameter	1 mm
Degree of protection	IP67
Material	
Contacts	CuSn / Au
Contact surface	Au
Body	TPU, transparent/black
Cable	PUR
Slotted nut	Diecast zinc
Sleeve connector	Diecast zinc
Core insulation	PP
Cable	extra-fine wire, flexible
Sheath diameter	\varnothing 4.3 mm
Bending radius	> 10 x cable diameter, moving > 5 x cable diameter, fixed
Color	black
Number of cores	4
Core cross-section	0.34 mm ²
Conductor construction	42 x 0.1 mm \varnothing
Length	L 5 m
Drag chain suitability	
Drag chain cycles	\geq 5000000 (at max. 60 °C)
Motion velocity	\leq 3.3 m/s

Electrical connection



Release date: 2019-04-11 11:50 Date of issue: 2019-05-23 263911_eng.xml

Traverse distance	5 m horizontal
Acceleration	≤ 5 m/s ²
Torsion cycles	≥ 1000000 (at max. 60 °C)
Torsional stress	± 180 °/m
Flammability	
Contact carrier	94 HB
Housing	94 V-2
Cable	FT2

Compliance with standards and directives

Standard conformity	
Degree of protection	EN 60529:2000
Standards	IEC 61076-2-101:2008
Flammability	Body: UL 94 Line: UL 1581 Section 1061; IEC 60332-1-2:2004
Halogen-free	IEC 60754-1:1994

Accessories

MH V1-SCREWDRIVER

torque screwdriver (0.6 Nm)

MH V1-BIT M12

plug-in cap M12

V1/V3-LABELHOLDER

Label holder

V1/V3-LABEL

Label plate

MH V1-Holder

Modular universal holder for M12 connectors

V1-CLIP

Unlocking protector for M12 connector

V1-MARKING-RING-BLUE

Marking ring for M12 plug

V1-MARKING-RING-GREEN

Marking ring for M12 plug

V1-MARKING-RING-ORANGE

Marking ring for M12 plug

V1-MARKING-RING-RED

Marking ring for M12 plug

V1-MARKING-RING-WHITE

Marking ring for M12 plug

V1-MARKING-RING-YELLOW

Marking ring for M12 plug

Release date: 2019-04-11 11:50 Date of issue: 2019-05-23 263911_eng.xml