



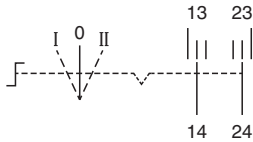
## Control Unit Ex e, GRP, Control Switch LCP1.N3OX.B.1

- Small control switch, 3 position with center OFF - 2x NO - labeling 'I - 0 - II'
- Glass fiber reinforced polyester (GRP) enclosure
- Ex de and Ex tb certified
- Installation in Zone 1, Zone 2, Zone 21 and Zone 22
- Top face stopping plug polyamide, 1x M20; bottom face cable gland polyamide, 1x M20
- Degree of protection IP66

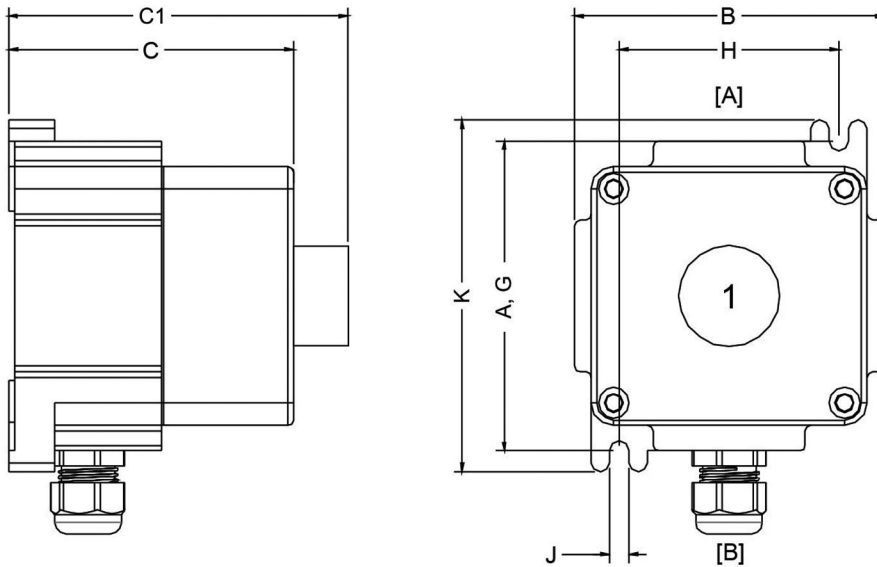


### Wiring Diagram

|    |    |    |
|----|----|----|
|    | 13 | 23 |
| I  | X  |    |
| 0  |    |    |
| II |    | X  |
|    | 14 | 24 |



## Dimensions



Dimension values see data table.

Image and drawing are generic for this device type and may deviate from the specific variant.

| Legend      |   |
|-------------|---|
| A           | Height  |
| B           | Width   |
| C           | Depth   |
| C1          | Depth with operating element                      |
| G           | Mounting holes distance, vertical                 |
| H           | Mounting holes distance, horizontal               |
| J           | Mounting holes diameter                           |
| K           | Maximum external dimension with mounting brackets |
| [A] ... [B] | Cable entry faces                                 |

## Technical Data

### Electrical specifications

|                         |                                       |
|-------------------------|---------------------------------------|
| Operating voltage       | 250 V max.                            |
| Operating current       | 16 A max.                             |
| Terminal capacity       | 2.5 mm <sup>2</sup>                   |
| Function                | control switch, small                 |
| Color                   | black                                 |
| Contact configuration   | 2x NO                                 |
| Switching configuration | 3 position changeover with center OFF |

Release date: 2020-11-26 Date of issue: 2020-11-26 Filename: 265372\_eng.pdf

Refer to "General Notes Relating to Pepperl+Fuchs Product Information".

Pepperl+Fuchs Group  
www.pepperl-fuchs.com

USA: +1 330 486 0002  
pa-info@us.pepperl-fuchs.com

Germany: +49 621 776 2222  
pa-info@de.pepperl-fuchs.com

Singapore: +65 6779 9091  
pa-info@sg.pepperl-fuchs.com

 PEPPERL+FUCHS

## Technical Data

|  |  |
|--|--|
| Usage category   | AC12 - 12 ... 250 V AC - 16 A<br>AC15 - 12 ... 250 V AC - 10 A<br>DC13 - 12 ... 110 V DC - 1 A<br>DC13 - 12 ... 24 V DC - 1A |
| Number of poles  | 2  |
| Operator action  | engage - engage - engage   |
| Labeling   | I - 0 - II   |
| <b>Mechanical specifications</b>                               |  |
| Enclosure range  | LCP  |
| Enclosure cover  | fully detachable   |
| Cover fixing   | stainless steel socket cap head screws   |
| Screws   | M6   |
| Number   | 4  |
| Tightening torque  | 2 Nm   |
| Degree of protection   | IP66   |
| Cable entry face A   |  |
| M20 quantity   | 1  |
| M20 series   | Stopping Plugs, Plastic  |
| M20 type   | SP.PE.M20.*  |
| Cable entry face B   |  |
| M20 quantity   | 1  |
| M20 series   | Cable Glands, Plastic  |
| M20 type   | CG.PEDS.M20.*  |
| M20 clamping range   | 6 ... 12 mm  |
| Defined entry area   | face A and face B  |
| Material   |  |
| Enclosure  | carbon loaded, antistatic glass fiber reinforced polyester (GRP)   |
| Finish   | inherent color black   |
| Seal   | one piece closed cell silicone   |
| Mass   | 1.5 kg   |
| Dimensions   |  |
| Height (A)   | 110 mm   |
| Width (B)  | 110 mm   |
| Depth (C)  | 101 mm   |
| External dimension with operating element (C1)                 | 131 mm   |
| Mounting holes distance (G)                                    | 110 mm   |
| Mounting holes distance (H)                                    | 78 mm  |
| Mounting holes diameter (J)                                    | 7 mm   |
| Maximum external dimension (K)                                 | 125 mm   |
| Tightening torque  |  |
| Nut torque at enclosure (SW1)                                  | see datasheets of cable glands   |
| Grounding  | 2.5 mm <sup>2</sup> grounding terminal   |
| <b>Ambient conditions</b>                                      |  |
| Ambient temperature  | -40 ... 55 °C (-40 ... 131 °F) @ T4<br>-40 ... 40 °C (-40 ... 104 °F) @ T6   |
| <b>Data for application in connection with hazardous areas</b> |  |
| EU-type examination certificate                                | CML 16 ATEX 3009X  |
| Marking  | ⊕ II 2 GD<br>Ex db eb mb IIC T* Gb<br>Ex tb IIIC T** °C Db<br>T6/T80 °C @ Ta +40 °C<br>T4/T130 °C @ Ta +55 °C                |
| <b>International approvals</b>                                 |  |
| IECEx approval   | IECEx CML 16.0008X   |
| EAC approval   | RU C-DE.BH02.B.00016/18  |

Release date: 2020-11-26 Date of issue: 2020-11-26 Filename: 265372\_eng.pdf

Refer to "General Notes Relating to Pepperl+Fuchs Product Information".

Pepperl+Fuchs Group  
www.pepperl-fuchs.comUSA: +1 330 486 0002  
pa-info@us.pepperl-fuchs.comGermany: +49 621 776 2222  
pa-info@de.pepperl-fuchs.comSingapore: +65 6779 9091  
pa-info@sg.pepperl-fuchs.com

**PEPPERL+FUCHS**

## Technical Data

|                            |  |
|----------------------------|--|
| IA approval                | MASC S/18-0003X  |
| CCC approval               | 2020322304002545   |
| <b>Conformity</b>          |  |
| Degree of protection       | EN 60529   |
| Usage category             | IEC / EN 60947   |
| CE marking                 | 0080 or 0102, see type label   |
| <b>General information</b> |  |
| Supplementary information  | EC-Type Examination Certificate, Statement of Conformity, Declaration of Conformity, Attestation of Conformity and instructions have to be observed where applicable. For information see <a href="http://www.pepperl-fuchs.com">www.pepperl-fuchs.com</a> . |
| <b>Accessories</b>         |  |
| Optional accessories       | engraved traffolyte tag label<br>engraved AISI 316L stainless steel tag label<br>color in-fill stainless steel tag label   |