

Control Unit Ex e, Stainless Steel, Illuminated Pushbutton

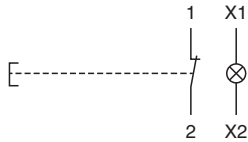
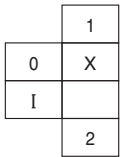
LCS1.IRJX.B.1



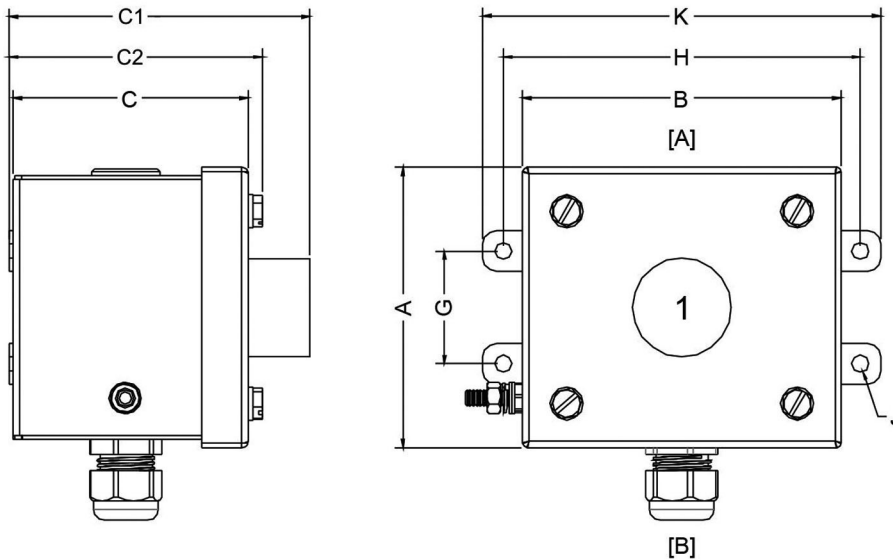
- Illuminated pushbutton, red - 1x NC
- Stainless Steel enclosure
- Ex de and Ex tb certified
- Installation in Zone 1, Zone 2, Zone 21 and Zone 22
- Top face stopping plug polyamide, 1x M20; bottom face cable gland polyamide, 1x M20
- Degree of protection IP66



Wiring Diagram



Dimensions



Dimension values see data table.

Image and drawing are generic for this device type and may deviate from the specific variant.

Legend	
A	Height
B	Width
C	Depth
C1	Depth with operating element
C2	Depth with screws
G	Mounting holes distance, vertical
H	Mounting holes distance, horizontal
J	Mounting holes diameter
K	Maximum external dimension with mounting brackets
[A] ... [B]	Cable entry faces

Technical Data

Electrical specifications

Operating voltage	250 V max.
Operating current	16 A max.
Terminal capacity	2.5 mm ²
Terminal torque	0.8 Nm
Function	illuminated pushbutton
Color	red

Release date: 2020-11-26 Date of issue: 2020-11-26 Filename: 267115_eng.pdf

Refer to "General Notes Relating to Pepperl+Fuchs Product Information".

Pepperl+Fuchs Group
www.pepperl-fuchs.com

USA: +1 330 486 0002
pa-info@us.pepperl-fuchs.com

Germany: +49 621 776 2222
pa-info@de.pepperl-fuchs.com

Singapore: +65 6779 9091
pa-info@sg.pepperl-fuchs.com

 **PEPPERL+FUCHS**

Technical Data

Contact configuration	1x NC all NC contacts have a direct opening action for emergency stop functions
Usage category	AC15 - 12 ... 250 V AC - 10 A DC13 - 12 ... 24 V DC - 1 A
Number of poles	1
Operator action	spring return
Mechanical specifications	
Enclosure range	LCS
Enclosure cover	fully detachable
Cover fixing	stainless steel hexagonal head screws
Screws	M6
Number	4
Tightening torque	2 Nm
Degree of protection	IP66
Cable entry face A	
M20 quantity	1
M20 series	Stopping Plugs, Plastic
M20 type	SP.PE.M20.*
Cable entry face B	
M20 quantity	1
M20 series	Cable Glands, Plastic
M20 type	CG.PEDS.M20.*
M20 clamping range	6 ... 12 mm
Defined entry area	face A and face B
Material	
Enclosure	1.5 mm AISI 316L, (1.4404) stainless steel
Finish	electropolished
Seal	one piece closed cell silicone
Mass	0.7 kg
Dimensions	
Height (A)	102 mm
Width (B)	116 mm
Depth (C)	85.5 mm
External dimension with operating element (C1)	100 mm
External dimension with screws (C2)	92.2 mm
Mounting holes distance (G)	41 mm
Mounting holes distance (H)	130 mm
Mounting holes diameter (J)	6.1 mm
Maximum external dimension (K)	145 mm
Tightening torque	
Nut torque at enclosure (SW1)	see datasheets of cable glands
Grounding	M6 internal/external brass grounding bolt
Ambient conditions	
Ambient temperature	-40 ... 55 °C (-40 ... 131 °F) @ T4 -40 ... 40 °C (-40 ... 104 °F) @ T6
Data for application in connection with hazardous areas	
EU-type examination certificate	CML 16 ATEX 3009X
Marking	Ⓢ II 2 GD Ex db eb mb IIC T* Gb Ex tb IIIC T** °C Db T6/T80 °C @ Ta +40 °C T4/T130 °C @ Ta +55 °C
International approvals	
IECEx approval	IECEx CML 16.0008X

Release date: 2020-11-26 Date of issue: 2020-11-26 Filename: 267115_eng.pdf

Refer to "General Notes Relating to Pepperl+Fuchs Product Information".

Pepperl+Fuchs Group
www.pepperl-fuchs.comUSA: +1 330 486 0002
pa-info@us.pepperl-fuchs.comGermany: +49 621 776 2222
pa-info@de.pepperl-fuchs.comSingapore: +65 6779 9091
pa-info@sg.pepperl-fuchs.com

PEPPERL+FUCHS

Technical Data

EAC approval	RU C-DE.BH02.B.00016/18
IA approval	MASC S/18-0003X
CCC approval	2020322304002545
Conformity	
Degree of protection	EN 60529
Usage category	IEC / EN 60947
CE marking	0080 or 0102, see type label
General information	
Supplementary information	EC-Type Examination Certificate, Statement of Conformity, Declaration of Conformity, Attestation of Conformity and instructions have to be observed where applicable. For information see www.pepperl-fuchs.com .
Accessories	
Optional accessories	engraved traffolyte tag label engraved AISI 316L stainless steel tag label color in-fill stainless steel tag label M6 internal/external stainless steel grounding bolt