

Sensor output interface terminal

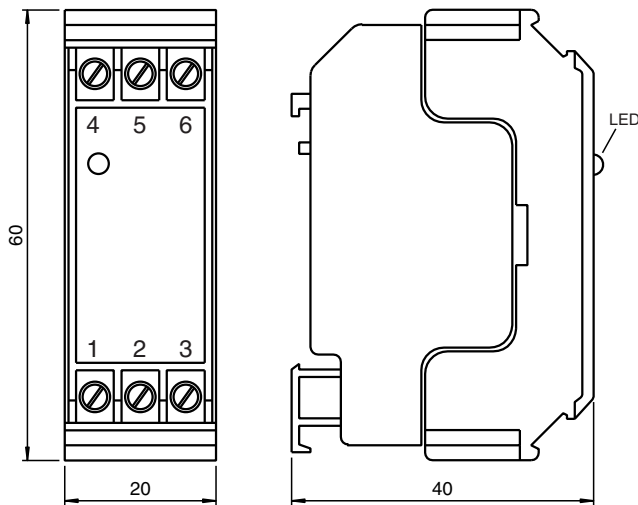
KCD2-E3

- 1-channel terminal amplifier
- NAMUR sensor input
- DC 24 V supply voltage
- Standard interface for prevention of signal transmission errors
- Switching status indicator, yellow LED
- Short-circuit proof electronic output
- Low noise sensitivity
- Compact terminal housing
- Clips onto standard 35 mm rail to DIN EN 50 022
- Degree of protection IP20

Sensor output interface terminal



Dimensions



Technical Data

Functional safety related parameters

MTTF _d	916 a
-------------------	-------

Indicators/operating means

LED yellow	switch output
------------	---------------

Electrical specifications

Operating voltage	U _B	10 ... 30 V DC
Ripple		≤ 10 %
Operating current	I _B	approx. 22 mA

Input

Release date: 2020-03-24 Date of issue: 2020-03-26 Filename: 268567_eng.pdf

Refer to "General Notes Relating to Pepperl+Fuchs Product Information".

Pepperl+Fuchs Group
www.pepperl-fuchs.com

USA: +1 330 486 0001
fa-info@us.pepperl-fuchs.com

Germany: +49 621 776 1111
fa-info@de.pepperl-fuchs.com

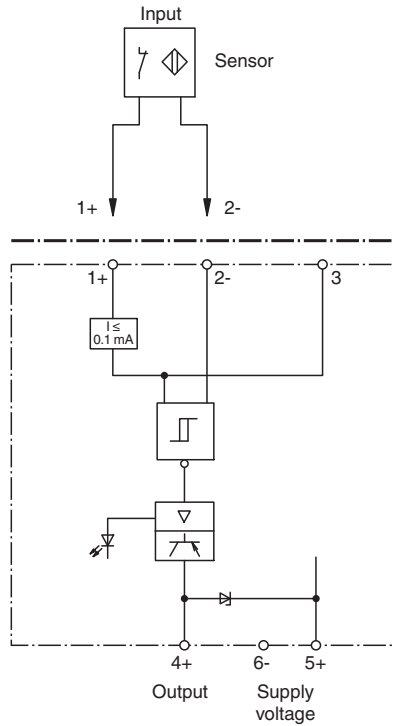
Singapore: +65 6779 9091
fa-info@sg.pepperl-fuchs.com

PEPPERL+FUCHS

Technical Data

Connection	terminals 1+, 2-
Connectable sensor types	NAMUR
Pulse length/pulse interval	$\geq 0.5 \text{ ms} / \geq 0.5 \text{ ms}$
Short-circuit current	approx. 8 mA
Sensor supply	8 V DC
Switching point	1.2 ... 2.1 mA hysteresis approx. 0.2 mA
Line fault detection	without
Trip value	1 kHz
Output	
Connection	terminal 4+
Current	200 mA short-circuit protected
Transistor	PNP
Signal level	$U_B - 1.1V$
Transfer characteristics	
Mode of operation	NC contact
Switching frequency	1 kHz
Directive conformity	
Electromagnetic compatibility	
Directive 2014/30/EU	EN 61326-1:2013
Standard conformity	
Degree of protection	EN 60529:2000
Noise immunity	EN 61326-1:2013
Ambient conditions	
Ambient temperature	-25 ... 70 °C (-13 ... 158 °F)
Storage temperature	-25 ... 85 °C (-13 ... 185 °F)
Mechanical specifications	
Connection	self-opening apparatus connection terminals, max. core cross-section 0.34 ... 2.5 mm ²
Mass	60 g
Dimensions	20x60x40 (in mm)

Connection



Release date: 2020-03-24 Date of issue: 2020-03-26 Filename: 268567_eng.pdf