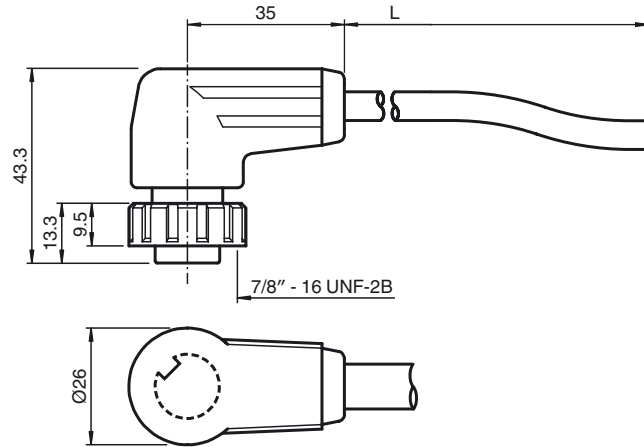




**Dimensions**



**Model Number**

**V95-W-10M-PVC**

Female cordset, 7/8", 5-pin, PVC cable

**Features**

- Self-locking threaded joint

**Technical data**

**General specifications**

Number of pins 5

**Electrical specifications**

Operating voltage  $U_B$  max. 250 V AC/DC  
 Operating current  $I_B$  max. 9 A  
 Volume resistance < 5 m $\Omega$

**Ambient conditions**

Ambient temperature 5 ... 90 °C (41 ... 194 °F) active  
 -40 ... 90 °C (-40 ... 194 °F) fixed  
 Pollution Degree 3

**Mechanical specifications**

Degree of protection IP68 (2 hrs at 10 bar)

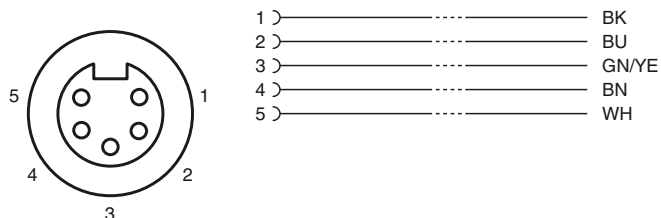
**Material**

Contacts CuZn, silver-plated  
 Contact surface Au  
 Body TPU, orange  
 Cable PVC  
 Slotted nut PA

**Cable**

Sheath diameter  $\varnothing$  6.8 mm  
 Bending radius > 5 x cable diameter, fixed  
 > 10 x cable diameter, moving  
 Color orange  
 Cores 5 x 0.5 mm<sup>2</sup>  
 Conductor construction 16 x 0.2 mm  $\varnothing$   
 Length L 10 m

**Electrical connection**



Release date: 2015-06-24 12:02 Date of issue: 2015-06-24 269127\_eng.xml

Refer to "General Notes Relating to Pepperl+Fuchs Product Information".