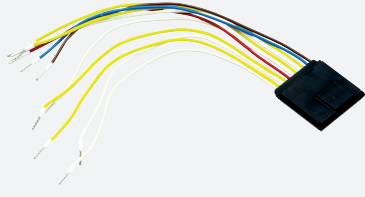


AS-Interface printed circuit board module

VBA-4E4A-CB10-ZJ/E1J-FL



- Integrated communication monitoring function
- Outputs short-circuit and overload proof
- Supply of the inputs and the outputs from AS-Interface
- Function display for bus, inputs and outputs
- Connection via lead

Printed circuit board module 4 inputs/4 outputs



Function

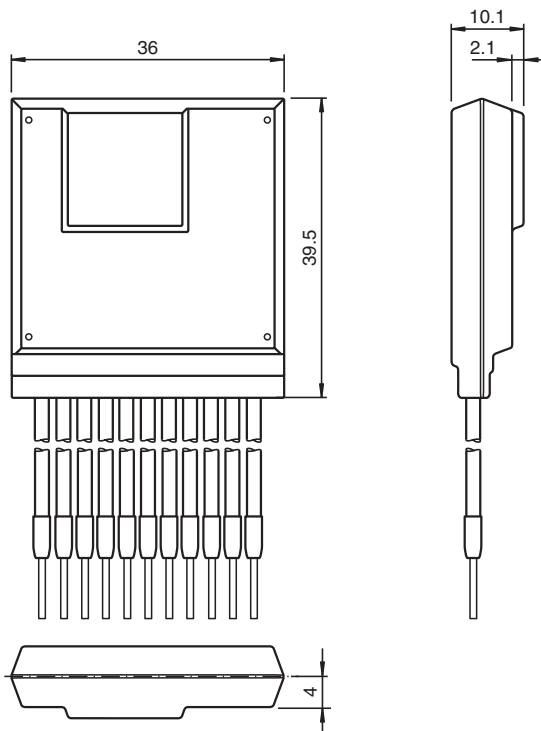
The AS-Interface connecting module is ideal for integrating custom electronics, such as illuminated pushbuttons or LED lights. The PCB is supplied with power entirely via AS-Interface. The inputs and outputs are resistant to short circuits and overloading. The display and control elements and AS-Interface are connected via cable strands.

A signal indicating an overload of the outputs is transmitted to the AS-Interface master via the "peripheral fault" function. The communication via AS-Interface remains unaffected.

Note:

A communication monitoring function is integrated into the system. This function disconnects the outputs from the power supply when no communication is taking place on the AS-Interface line.

Dimensions



Technical Data

General specifications

Node type

A/B node

Release date: 2023-05-09 Date of issue: 2023-05-09 Filename: 271298_eng.pdf

Refer to "General Notes Relating to Pepperl+Fuchs Product Information".

Pepperl+Fuchs Group
www.pepperl-fuchs.com

USA: +1 330 486 0001
fa-info@us.pepperl-fuchs.com

Germany: +49 621 776 1111
fa-info@de.pepperl-fuchs.com

Singapore: +65 6779 9091
fa-info@sg.pepperl-fuchs.com

PEPPERL+FUCHS

Technical Data

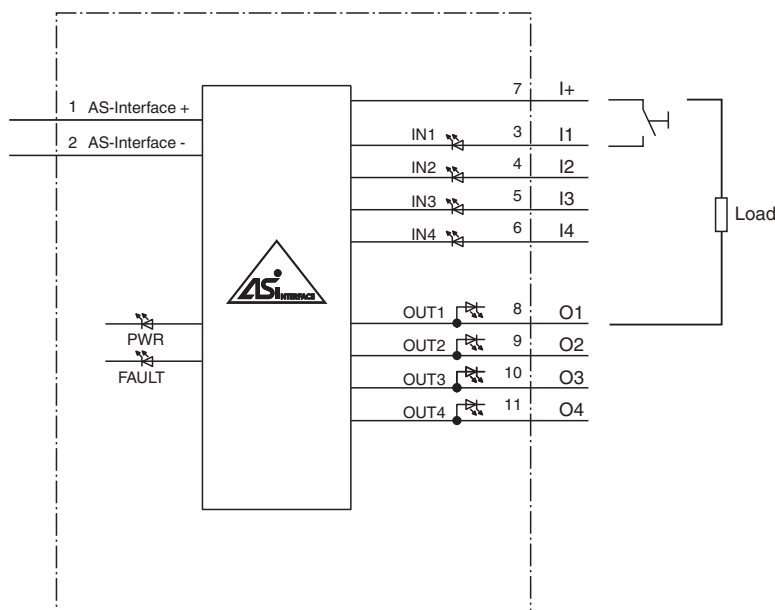
AS-Interface specification		V3.0
Required gateway specification		≥ V3.0
UL File Number		E223772
MTBF		267 a
Indicators/operating means		
LED FAULT		error display; LED red red: communication error or address is 0 red flashing: overload of outputs
LED PWR		AS-Interface voltage; green LED green: voltage OK flashing green: address 0
LED IN		switching state (input); 4 LED yellow
LED OUT		Switching state (output); 4 LED yellow
Electrical specifications		
Rated operating voltage	U_e	26.5 ... 31.6 V from AS-Interface (PELV)
Rated operating current	I_e	≤ 40 mA (without inputs/outputs)/max. 160 mA
Protection class		III
Surge protection		U_e : overvoltage category II, safe isolated power supplies (PELV)
Input		
Number/Type		4 inputs for mechanical contacts
Supply		from AS-Interface
Voltage		12 ... 31 V
Input current		≤ 4 mA (limited internally)
Switching point		
0 (unattenuated)		≤ 0.15 mA
1 (attenuated)		≥ 1.3 mA
Signal delay		< 1 ms (input/AS-Interface)
Output		
Number/Type		4 electronic outputs, NPN, overload proof and short-circuit proof
Supply		from AS-Interface
Voltage		12 ... 31 V
Current		≤ 100 mA per output, ≤ 100 mA total
Usage category		DC-1 "general use" (ohmic and weak inductive loads in accordance with IEC 60947)
Directive conformity		
Electromagnetic compatibility		
Directive 2014/30/EU		EN 62026-2:2013
Standard conformity		
Degree of protection		EN 60529:2000
Fieldbus standard		EN 62026-2:2013
Emitted interference		EN 61000-6-4:2007
AS-Interface		EN 62026-2:2013
Noise immunity		EN 61000-6-2:2005, EN 61326-1:2006, EN 62026-2:2013
Programming instructions		
Profile		S-7.A.7
IO code		7
ID code		A
ID1 code		7
ID2 code		7
Data bits (function via AS-Interface)		Input Output
D0		IN1 OUT1
D1		IN2 OUT2
D2		IN3 OUT3
D3		IN4 OUT4
Parameter bits (programmable via AS-i)		function

Release date: 2023-05-09 Date of issue: 2023-05-09 Filename: 271298_eng.pdf

Technical Data

P0		not used
P1		Input filter P1 = 0 input filter on, pulse suppression ≤ 2 ms P1 = 1 input filter off (default settings)
P2		Synchronous mode P2 = 0 synchronous mode on P2 = 1 synchronous mode off (default settings)
P3		not used
Approvals and certificates		
UL approval		Protection class IP20 is not included in the UL approval. The protection class is tested by Pepperl+Fuchs.
Ambient conditions		
Ambient temperature		-25 ... 70 °C (-13 ... 158 °F)
Storage temperature		-25 ... 85 °C (-13 ... 185 °F)
Relative humidity		85 % , noncondensing
Climatic conditions		For indoor use only
Altitude		≤ 5000 m above MSL
Shock and impact resistance		30 g, 11 ms in 6 spatial directions, 3 shocks 10 g, 16 ms in 6 spatial directions, 1000 shocks
Vibration resistance		0.35 mm 10 ... 57 Hz , 5 g, 57 Hz ... 150 Hz, 10 cycles
Pollution degree		2
Mechanical specifications		
Degree of protection		IP20 according to EN 60529
Connection		200 mm, PVC cable 0.5 mm ²
Material		
Housing		Polyamide hot-melt adhesive
Mass		33 g
Note		This device is maintenance-free. If the device is used in a manner not specified by the manufacturer, the protection provided by the device may be impaired.

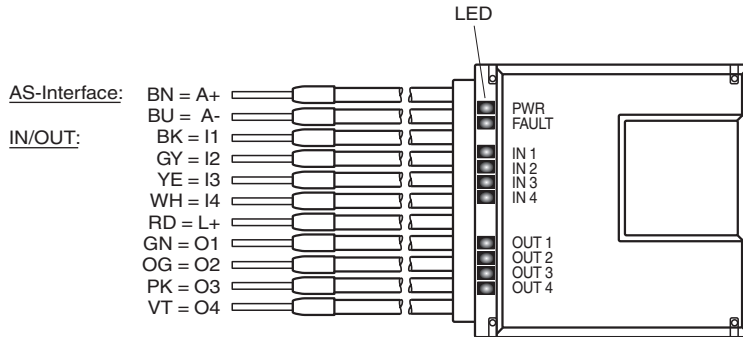
Connection



Connection

Do not connect inputs and outputs, which are supplied via the module from AS-interface or via auxiliary power, with power supply and signal circuits with external potentials.

Assembly



Release date: 2023-05-09 Date of issue: 2023-05-09 Filename: 271298_eng.pdf

Refer to "General Notes Relating to Pepperl+Fuchs Product Information".

Pepperl+Fuchs Group
www.pepperl-fuchs.com

USA: +1 330 486 0001
fa-info@us.pepperl-fuchs.com

Germany: +49 621 776 1111
fa-info@de.pepperl-fuchs.com

Singapore: +65 6779 9091
fa-info@sg.pepperl-fuchs.com