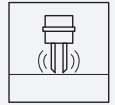




Vibration Limit Switch

LVL-M2H



- Limit switch in hygienic version for liquids
- Large selection of process connections: universal use
- Wide variety of electronic modules (e. g., relay, thyristor signal output): the right connection for every process control system
- No calibration: quick and low-cost start up
- No mechanically moving parts: maintenance-free, no wear, long operating life
- Monitoring of the vibrating fork for damage: guaranteed function
- PROFIBUS PA protocol: commissioning and maintenance quick and easy
- Process connections acc. to EHEDG
- Up to SIL 2 acc. to IEC/EN 61508



Function

The device is a limit switch for use in all liquids

- for temperature from -50 °C to +150 °C
- for pressures up to 64 bar
- for viscosities up to 10000 mm²/s
- for densities up to 0.5 g/cm³ or 0.7 g/cm³ (other settings available on request)

The function is not affected by flow, turbulence, bubbles, foam, vibration, bulk solids content or build-up, the device is thus the ideal replacement for float switches.

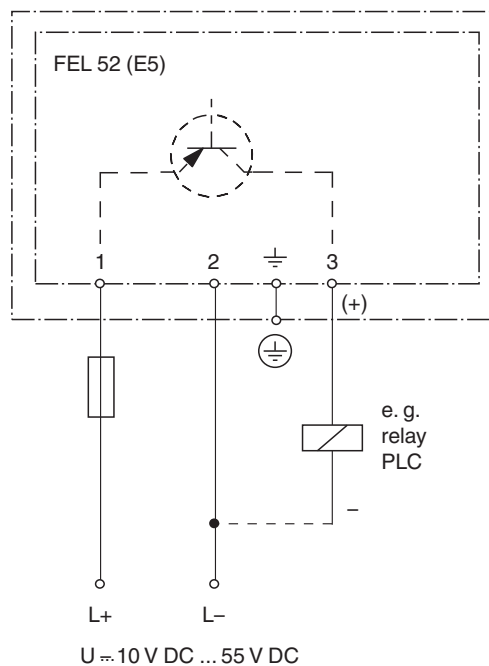
The device is available with extension tube up to 3 m (up to 6 m on request).

With polished fork and easy-to-clean process connections and housings is the level limit switch usable for food and pharmaceutical applications. Devices with protection Ex ia and Ex d are available for use in explosion hazardous areas.

Connection

Connection FEL 52 (E5) 3-wire DC connection (example)

- preferably for use with memory programmable controls (PLC)
- positive signal at the switch output of the electronics (PNP)
- Output blocked on reaching limit level.
- also in compact housing with plug connection available

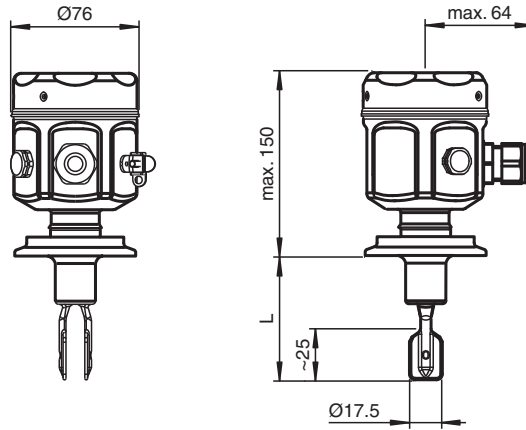


Other connection types see section electrical connection.

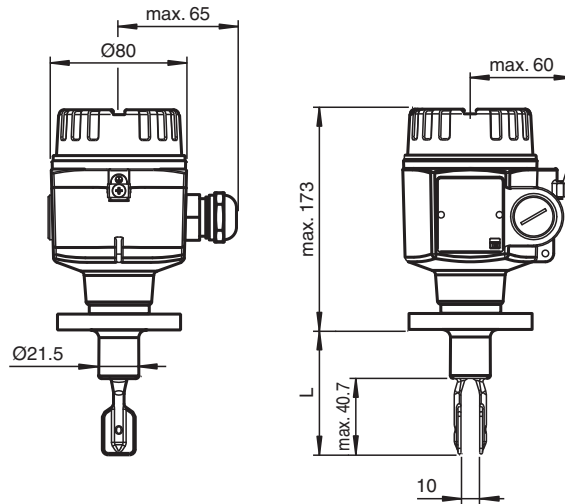
Release date: 2023-09-11 Date of issue: 2023-09-11 Filename: 271509_eng.pdf

Dimensions

Device with stainless steel housing E* and process connection with flange



Device with aluminium housing A* and process connection with flange



Additional dimensions see section dimensions.

L = 148 mm ... 3000 mm
up to 6000 mm on request

Technical Data

General specifications	
Function principle	limit detection Maximum or minimum detection in tanks or pipelines containing all types of liquids including use in explosion hazardous areas. Particularly suited to very aggressive liquids thanks to high degree of corrosion protection.
Measuring method	The forks of the sensors vibrate at their intrinsic frequency. This frequency is reduced when covered with liquid. The change in frequency then activates the limit switch.
Construction type	device with extension tube hygienic version
Series	Vibracon LVL-M2
Functional safety related parameters	
Safety Integrity Level (SIL)	SIL 2
Supply	
Rated voltage	U _r electronic insert FEL50A (PA): 9 ... 32 V DC electronic insert FEL51 (AC): 253 V AC, 50/60 Hz electronic insert FEL52 (E5): 10 ... 55 V DC electronic insert FEL54 (WA): 19 ... 253 V AC, 50/60 Hz or 19 ... 55 V DC electronic insert FEL55 (SI): 11 ... 36 V DC, PLC electronic insert FEL56 (N1), FEL58 (N2): isolating amplifier acc. to EN 60947-5-6 (NAMUR)
Current consumption	electronic insert FEL52 (E5): max. 15 mA
Power consumption	electronic insert FEL52 (E5): max. 0.83 W electronic insert FEL54 (WA): max. 1.3 W
Electrical specifications	
Surge protection	electronic insert FEL51 (AC), electronic insert FEL52 (E5), electronic insert FEL54 (WA), electronic insert FEL55 (SI): overvoltage category III

Release date: 2023-09-11 Date of issue: 2023-09-11 Filename: 271509_eng.pdf

Refer to "General Notes Relating to Pepperl+Fuchs Product Information".

Pepperl+Fuchs Group
www.pepperl-fuchs.com

USA: +1 330 486 0002
pa-info@us.pepperl-fuchs.com

Germany: +49 621 776 2222
pa-info@de.pepperl-fuchs.com

Singapore: +65 6779 9091
pa-info@sg.pepperl-fuchs.com

PF PEPPERL+FUCHS

Technical Data

Input	
Switching point	see section switch point
Measured variable	limit level (limit value)
Measurement range	depends on mounting point and pipe extension up to 3000 mm , larger sizes on request
Output	
Switching delay	when fork is covered: approx. 0.5 s, when fork is exposed: approx. 1.0 s (other switching times on request) additionally configurable for PROFIBUS PA (electronic insert FEL50A (PA)): 0.5 ... 60 s
Switch behaviour	switch-over for minimum/maximum residual current safety on electronic insert MAX = maximum safety: The output switches to the power fail response when the fork is covered. for use with overspill protection for example MIN = minimum safety: The output switches to the power fail response when the fork is exposed. for use with dry running protection for example When switching on the power supply the output assumes the alarm signal. After max. 2 s it assumes the correct switching mode.
Directive conformity	
Electromagnetic compatibility	
Directive 89/336/EEC	EN 61326 If the fork tines are joined together on account of build-up, the useful signal is attenuated to such an extent that the original EMC values can no longer be completely observed (EN 61000-4-3 electromagnetic fields, EN 61000-4-6 HF coupling).
Low voltage	
Directive 73/23/EEC	EN 61010-1
Conformity	
Electromagnetic compatibility	NE 21
Degree of protection	IEC 60529
Vibration resistance	EN 60068-2-6
Climate class	DIN EN 60068-2-38/IEC 68-2-38
Input characteristics	
Medium density	adjustment on the electronic insert > 0,5 g/cm ³ or > 0,7 g/cm ³ (other on request)
Measurement accuracy	
Reference operating conditions	ambient temperature: 23 °C (73.4 °F), medium temperature: 23 °C (73.4 °F), product density: 1 g/cm ³ (water), viscosity: 1 mm ² /s, medium pressure p _e : 0 bar, sensor mounting: vertical from above, density switch: to > 0.7 g/cm ³
Maximum measured error	max. ± 1 mm, specified by mounting position
Non-repeatability	0.1 mm
Hysteresis	approx. 2 mm
Influence of medium density	max. +4.8 ... -3.5 mm (0.5 ... 1.5 g/cm ³)
Influence of medium temperature	max. +1.4 ... -2.8 mm (-40 ... 150 °C (-40 ... 302 °F))
Influence of medium pressure	max. 0 ... -2.5 mm (-1 ... 64 bar)
Operating conditions	
Installation conditions	
Installation position	with short pipe (up to 500 mm (19.7 inch)) any position, with long pipe vertical
Process conditions	
Medium temperature	-50 ... 150 °C (-58 ... 302 °F) , exceptions see process connections
Medium pressure	p _e = -1 ... 64 bar (-14.5 ... 928.3 psi) over the entire temperature range , exceptions see process connections
Test pressure	max. 100 bar (1.5 times the medium pressure p _e), no function during test pressure, burst pressure of diaphragm 200 bar
Thermal shock resistance	max. 120 °C/s (max. 120 K/s)
State of aggregation	liquid
Density	min. 0.5 g/cm ³ (compact housing 0.7 g/cm ³), other density settings on request
Viscosity	max. 10000 mm ² /s (max. 10000 cSt)
Solid contents	< Ø5 mm
Ambient conditions	

Release date: 2023-09-11 Date of issue: 2023-09-11 Filename: 271509_eng.pdf

Refer to "General Notes Relating to Pepperl+Fuchs Product Information".

 Pepperl+Fuchs Group
www.pepperl-fuchs.com

 USA: +1 330 486 0002
pa-info@us.pepperl-fuchs.com

 Germany: +49 621 776 2222
pa-info@de.pepperl-fuchs.com

 Singapore: +65 6779 9091
pa-info@sg.pepperl-fuchs.com

 **PEPPERL+FUCHS**

Technical Data

Ambient temperature	-50 ... 70 °C (-58 ... 158 °F) , function with reduced data values see section ambient temperature
Storage temperature	-50 ... 80 °C (-58 ... 176 °F)
Vibration resistance	10 ... 50 Hz, 0.15 mm, 100 cycles
Mechanical specifications	
Degree of protection	polyester, steel, and aluminum housing: IP66/IP67 compact housing: - IP65 with valve connector PG11 or 1/2NPT - IP66/IP68 with M12 x 1 connector without LEDs (1.4435/316L) - IP69K with M12 x 1 connector with LEDs (1.4435/316L)
Connection	electronic inserts: cross section max. 2.5 mm ² , lace in end splice in acc. with DIN 46228 ground lead in housing: cross section max. 2.5 mm ² external equipotential bonding: cross section 4 mm ²
Material	wetted parts: - process connection and extension tube: 1.4435/316L - vibration fork: 1.4435/316L - flat seal for process connection G2* or G3*: elastomer fibre, asbestos-free housings: - polyester housing: PBT-FR with PBT-FR cover or with PA12 cover with sight glass, cover seal: EPDM - stainless steel housing: 1.4435/316L, cover seal: silicone - aluminum housing: EN-AC-AISi10Mg, plastic-coated, cover seal: EPDM - compact housing with valve connector or M12 connector: 1.4435/316L cable gland: polyamide or brass, nickel-plated temperature spacer: 1.4435/316L flameproof bushing: 1.4435/316L
Surface quality	R _a < 1.5 µm/120 grit: length, spacer, bushings *C R _a < 0.3 µm/320 grit: length, spacer, bushings *D
Mass	700 g , basic weight: compact sensor, electronic insert, stainless steel housing, process connection G2*, additional weight is dependent on extension tube, housing and process connection process connections: - A31 1000 g, A41 1200 g, A51 1500 g, A6* 2400 g, A72 4800 g, A81 4900 g, A82 6800 g, A91 7000 g, A92 11.5 kg - D75 3200 g, D95 5900 g, DA3 5600 g, D7A 300 g, D7D 300 g - F45 1400 g, F51 1200 g, F55 2000 g, F61 1400 g, F65 2400 g, F71 1600 g, F75 3200 g, F81 2400 g, F85 4300 g, F93 4800 g, F95 5900 g, FA3 5600 g, FA5 7500 g - G3E 200 g - J13 no information, J16 no information, J17 1700 g, J19 no information, J1A no information, J1C 1700 g - R*R no information - S13 300 g, S61 200 g, SV1 no information - T51 no information, T61 100 g extension tube, temperature spacers, flameproof bushings: - B* 900 g/m, C* 2300 g/100 inch - D* 100 g - J* 900 g/m and 600 g, K* 2300 g/100 inch and 600 g - L* 700 g - R* 900 g/m and 700 g, S* 2300 g/100 inch and 700 g - T* 800 g
Dimensions	housing: diameter max. 85 mm, height max. 173 mm temperature separator, flameproof bushing: additional length L 140 mm process connection: length L 55.5 ... 80 mm extension: any length L from 148 ... 3000 mm, larger sizes on request extension: length type II, for vertical installation from above same switching point as Vibracon LVL1, LVL2 vibration fork: width 17.5 mm, fork width 10 mm, length 25 mm
Process connection	- cylindrical thread G3/4A, G1A to DIN ISO 228/1 with flat seal to DIN 7603 - - flush-mounted with welding sleeve to factory standard (G3/4A, G1A) - flush-mounted with welding neck to factory standard (1 inch), sensor can be positioned - Triclamp 1-1/2 inch, 2 inch to ISO 2852 - threaded pipe joint DN32, DN40, DN50 to DIN 1185 - aseptic connection DN50 to DIN 11864-1 form A for pipe DIN 11850 - SMS connection 2 inch (DN51) - DRD flange, 65 mm - Varivent® DN50 (50/40) to factory standard Tuchenhagen - flanges to EN 1092-1 from DN25, to ANSI B 16.5 from 1 inch, to JIS B 2238 (RF) from DN25 For further information see type code.
Data for application in connection with hazardous areas	
EU-type examination certificate	see instruction manuals (SI)
International approvals	
FM approval	see control drawings (ZD)

Release date: 2023-09-11 Date of issue: 2023-09-11 Filename: 271509_eng.pdf

Refer to "General Notes Relating to Pepperl+Fuchs Product Information".

Pepperl+Fuchs Group
www.pepperl-fuchs.comUSA: +1 330 486 0002
pa-info@us.pepperl-fuchs.comGermany: +49 621 776 2222
pa-info@de.pepperl-fuchs.comSingapore: +65 6779 9091
pa-info@sg.pepperl-fuchs.com
 **PEPPERL+FUCHS**

Technical Data

CSA approval	see control drawings (ZD)
IECEX approval	see instruction manuals (SI)
Indication and operation	
Display elements	electronic inserts: - electronic inserts FEL50 A (PA), FEL58 (N2): green LED, yellow LED - electronic inserts FEL51 (AC), FEL52 (E5), FEL54 (WA), FEL55 (SI), FEL56 (N1): green LED, red LED compact housings: compact housing with valve connector - electronic version FEL51 (AC), FEL52 (E5): green LED, red LED - electronic version FEL58 (N2): green LED, yellow LED compact housing with M12 x 1 round connector without LEDs - electronic version FEL52 (E5): green LED, yellow LED, red LED - electronic version FEL58 (N2): green LED, yellow LED compact housing with M12 x 1 round connector with LEDs - electronic version FEL52 (E5): green LED, two yellow LEDs
Control elements	electronic insert FEL50A (PA): 8 switches for device address setting electronic inserts FEL51 (AC), FEL52 (E5), FEL54 (WA), FEL55 (SI), FEL56 (N1): two switches for fail-safe mode and density change electronic insert FEL58 (N2): two switches for fail-safe mode and density change and one test button interrupts lead
Function test	compact housing: function test with test magnet electronic versions FEL51 (AC), FEL52 (E5) and FEL58 (N2): During the test, the current state of the electronic switch is reversed.
Certificates and approvals	
Overspill protection	see approval (ZE)
General information	
Supplementary documentation	technical information (TI) manuals, brief instructions (BA, KA) instruction manuals (SI) control drawings (ZD)
Supplementary information	EC-Type Examination Certificate, Statement of Conformity, Declaration of Conformity, Attestation of Conformity and instructions have to be observed where applicable. For information see www.pepperl-fuchs.com .

Accessories

- Welding sleeves
- LVL-Z100, welding sleeve G3/4 for flush mounting for process connection G21
 - LVL-Z101, welding sleeve G1 for flush mounting for process connection G3E
 - LVL-Z102, welding sleeve G1 for flush mounting for process connection G3E
 - LVL-Z103, welding adapter G1 for flush mounting for process connection S13
 - LVL-Z104, DRD welding flange for flush mounting for process connection D7D
- Further accessories
- LVL-Z108, cover with glass sight glass for stainless steel housing E*
 - LVL-Z109, cover with PC sight glass for stainless steel housing E*
 - LVL-Z110, transparent cover for polyester housing P*
 - V1-G, mating connector, straight
 - V1-W, mating connector, 90° angled

Type Code

This overview does not mark options which are mutually exclusive.

L	V	L	-	M	2	H	-	(1)	(2)	-	(3)	(4)	(5)	-	(6)	.	L
---	---	---	---	---	---	---	---	-----	-----	---	-----	-----	-----	---	-----	---	---

LVL-M2H	Device
LVL-M2H	Limit switch for liquids, device with extension tube, hygienic version

(1)	Process connection
Flanges	
A31	1 inch, ANSI B 16.5, 150 lbs RF, 1.4435/316L
A41	1-1/4 inch, ANSI B 16.5, 150 lbs RF, 1.4435/316L
A51	1-1/2 inch, ANSI B 16.5, 150 lbs RF, 1.4435/316L
A61	2 inch, ANSI B 16.5, 150 lbs RF, 1.4435/316L
A62	2 inch, ANSI B 16.5, 300 lbs RF, 1.4435/316L
A72	2-1/2 inch, ANSI B 16.5, 300 lbs RF, 1.4435/316L
A81	3 inch, ANSI B 16.5, 150 lbs RF, 1.4435/316L
A82	3 inch, ANSI B 16.5, 300 lbs RF, 1.4435/316L
A91	4 inch, ANSI B 16.5, 150 lbs RF, 1.4435/316L

Release date: 2023-09-11 Date of issue: 2023-09-11 Filename: 271509_eng.pdf

Refer to "General Notes Relating to Pepperl+Fuchs Product Information".

Type Code

(1)	Process connection
A92	4 inch, ANSI B 16.5, 300 lbs RF, 1.4435/316L
F45	DN25 PN25/40 A, EN 1092-1, 1.4435/316L
F51	DN32 PN6 A, EN 1092-1, 1.4435/316L
F55	DN32 PN25/40 A, EN 1092-1, 1.4435/316L
F61	DN40 PN6 A, EN 1092-1, 1.4435/316L
F65	DN40 PN25/40 A, EN 1092-1, 1.4435/316L
F71	DN50 PN6 A, EN 1092-1, 1.4435/316L
F75	DN50 PN25/40 A, EN 1092-1, 1.4435/316L
F81	DN65 PN6 A, EN 1092-1, 1.4435/316L
F85	DN65 PN25/40 A, EN 1092-1, 1.4435/316L
F93	DN80 PN10/16 A, EN 1092-1, 1.4435/316L
F95	DN80 PN25/40 A, EN 1092-1, 1.4435/316L
FA3	DN100 PN10/16 A, EN 1092-1, 1.4435/316L
FA5	DN100 PN25/40 A, EN 1092-1, 1.4435/316L
D75	DN50 PN25/40 B1, EN 1092-1, 1.4435/316L
D7A	DN50, aseptic connection, DIN 11864, 1.4435/316L
D7D	DRD, 65 mm, 1.4435/316L
D95	DN80 PN25/40 B1, EN 1092-1, 1.4435/316L
DA3	DN100 PN10/16 B1, EN 1092-1, 1.4435/316L
J13	10K 25A, JIS B 2238 RF, 1.4435/316L
J16	10K 40A, JIS B 2238 RF, 1.4435/316L
J17	10K 50A, JIS B 2238 RF, 1.4435/316L
J19	10K 80A, JIS B 2238 RF, 1.4435/316L
J1A	10K 100A, JIS B 2238 RF, 1.4435/316L
R5R	DN32 PN25, tube extension, DIN 11851, 1.4435/316L
R6R	DN40 PN25, tube extension, DIN 11851, 1.4435/316L
R7R	DN50 PN25, tube extension, DIN 11851, 1.4435/316L
Threads	
G21	G3/4A, DIN ISO 228/1, BSP, 1.4435/316L, for mounting in welding sleeve
G3E	G1A, DIN ISO 228/1, BSP, 1.4435/316L, for mounting in welding sleeve
Tri-Clamp	
T51	1-1/2 inch, DN25-38, Tri-Clamp ISO 2852 1.4435/316L
T61	2 inch, DN40-51, Tri-Clamp ISO 2852 1.4435/316L
Others	
S13	Flush-mounted for welding adapter 1 inch, 1.4435/316L, accessory LVL-Z103
S61	2 inch, SMS, PN25, 1.4435/316L
SV1	Varivent, DN65-162 PN10, 1.4435/316L
XXX	Special version

(2)	Probe version, temperature spacer, flameproof bushing
BC	in mm L, $R_a < 1.5 \mu\text{m}/120$ grit
BD	in mm L, $R_a < 0.3 \mu\text{m}/320$ grit/A3
CC	in inch L, $R_a < 1.5 \mu\text{m}/120$ grit
CD	in inch L, $R_a < 0.3 \mu\text{m}/320$ grit/A3
DC	Special length L II, $R_a < 1.5 \mu\text{m}/120$ grit, switch point = Vibracon compact
DD	Special length L II, $R_a < 0.3 \mu\text{m}/320$ grit/A3, switch point = Vibracon compact
JC	in mm L, $R_a < 1.5 \mu\text{m}/120$ grit, with temperature spacer
JD	in mm L, $R_a < 0.3 \mu\text{m}/320$ grit/A3, with temperature spacer
KC	in inch L, $R_a < 1.5 \mu\text{m}/120$ grit, with temperature spacer
KD	in inch L, $R_a < 0.3 \mu\text{m}/320$ grit/A3, with temperature spacer
LC	Special length L II, $R_a < 1.5 \mu\text{m}/120$ grit, with temperature spacer, switch point = Vibracon compact
LD	Special length L II, $R_a < 0.3 \mu\text{m}/320$ grit/A3, with temperature spacer, switch point = Vibracon compact
RC	in mm L, $R_a < 1.5 \mu\text{m}/120$ grit, with flameproof bushing
RD	in mm L, $R_a < 0.3 \mu\text{m}/320$ grit/A3, with flameproof bushing
SC	in inch L, $R_a < 1.5 \mu\text{m}/120$ grit, with flameproof bushing
SD	in inch L, $R_a < 0.3 \mu\text{m}/320$ grit/A3, with flameproof bushing
TC	Special length L II, $R_a < 1.5 \mu\text{m}/120$ grit, with flameproof bushing, switch point = Vibracon compact
TD	Special length L II, $R_a < 0.3 \mu\text{m}/320$ grit/A3, with flameproof bushing, switch point = Vibracon compact
XX	Special version

(3)	Housing
A1	Aluminum housing, IP66, thread M20
A2	Aluminum housing, NEMA 4X, thread 3/4NPT
A3	Aluminum housing, IP66, entry G1/2A
A4	Aluminum housing, IP66, connector M12 x 1

Release date: 2023-09-11 Date of issue: 2023-09-11 Filename: 271509_eng.pdf

Refer to "General Notes Relating to Pepperl+Fuchs Product Information".

Pepperl+Fuchs Group
www.pepperl-fuchs.comUSA: +1 330 486 0002
pa-info@us.pepperl-fuchs.comGermany: +49 621 776 2222
pa-info@de.pepperl-fuchs.comSingapore: +65 6779 9091
pa-info@sg.pepperl-fuchs.com

PEPPERL+FUCHS

Type Code

(3)	Housing
A5	Aluminum housing, IP66, PA connector M12 x 1
C2	compact housing, NEMA 4X, 1/2NPT, 1.4435/316L
C4	compact housing, IP66, connector M12 x 1, 1.4435/316L
C6	compact housing, IP66, thread PG11, 1.4435/316L
E1	Stainless steel housing, IP66, thread M20
E2	Stainless steel housing, NEMA 4X, thread 1/2NPT
E3	Stainless steel housing, IP66, entry G1/2A
E4	Stainless steel housing, IP66, connector M12 x 1
E5	Stainless steel housing, IP66, PA connector M12 x 1
P1	Polyester housing, IP66, thread M20
P2	Polyester housing, NEMA 4X, thread 1/2NPT
P3	Polyester housing, IP66, entry G1/2A
P4	Polyester housing, IP66, connector M12 x 1
P5	Polyester housing, IP66, PA connector M12 x 1



(4)	Electrical connection
PA	FEL50A, PROFIBUS PA
AC	FEL51, contactless 2-wire switch, 19 V to 253 V AC
E5	FEL52, PNP 3-wire, 10 V to 55 V DC
WA	FEL54, potential-free change-over contact, DPDT, 19 V to 253 V AC, 19 V to 55 V DC
SI	FEL55, 8/16 mA, 11 V to 36 V DC
N1	FEL56, NAMUR, L-H edge
N2	FEL58, NAMUR with test button, H-L edge

(5)	Additional equipment
NA	without additional equipment
Z3	33.1.B material, wetted parts 1.4435, inspection certificate to EN 10204

(6)	Approval
NA	Version for non-explosion-hazardous area
WH	WHG overfill protection
E1	ATEX II 1G EEx ia IIC T6
E2	ATEX II 1/2G EEx ia IIC T6
E3	ATEX II 1/2G EEx d IIC T6
EA	ATEX II 1G EEx ia IIC T6, WHG
EB	ATEX II 1/2G EEx ia IIC T6, WHG
EC	ATEX II 1/2G EEx d IIC T6, WHG
EM	ATEX II 3G EEx nA IIC T6, WHG
EN	ATEX II 3G EEx nC IIC T6, WHG
FI	FM IS, Cl. I, II, III, Div. 1, Gr. A-G
FN	FM NI, Cl. I, Div. 2, Gr. A-D
FX	FM XP, Cl. I, II, III, Div. 1, Gr. A-G
CG	CSA General Purpose
CI	CSA IS, Cl. I, II, III, Div. 1, Gr. A-G
CX	CSA XP, Cl. I, II, III, Div. 1, Gr. A-G

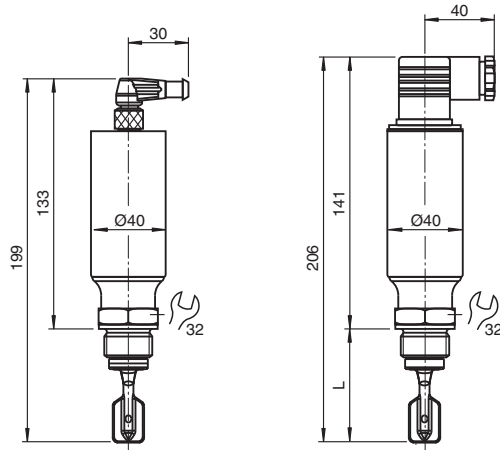
L	Probe length
Length	Specified length, any length from 148 mm to 3000 mm (up to 6000 mm on request)

Accessories

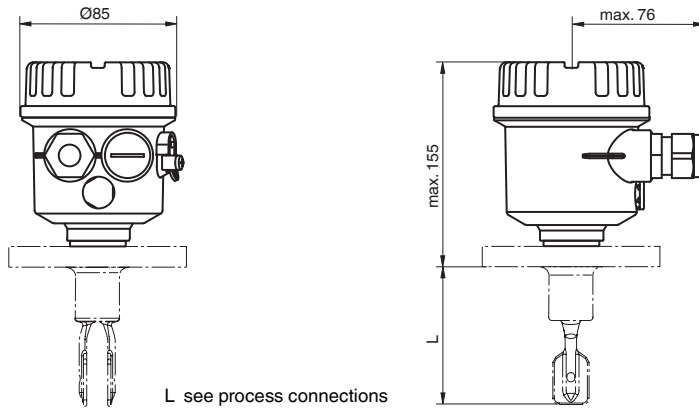
	PACTware 5.0	FDT Framework
	DTM Level Control	DTM collection

Dimensions

Compact housing C*

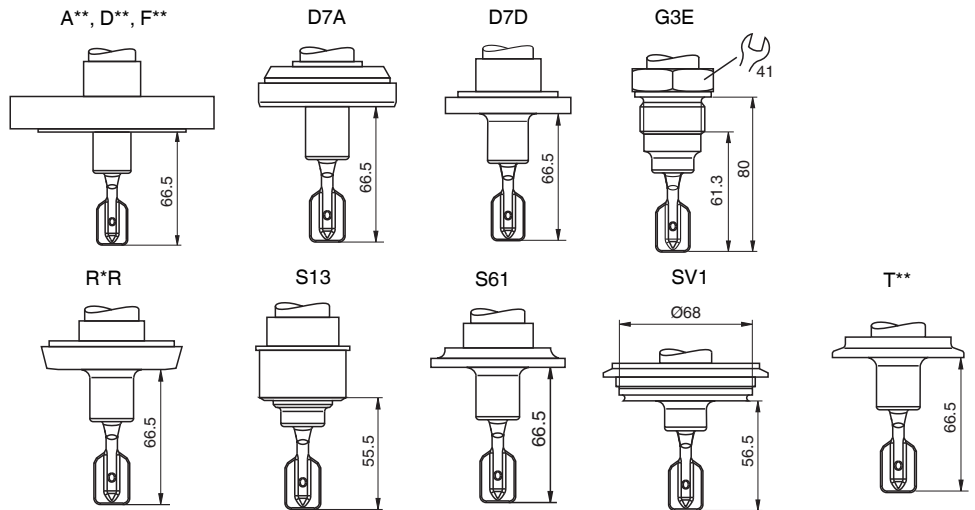


Polyester housing P*



L see process connections

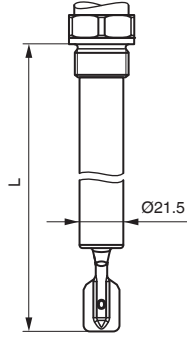
Process connections



Release date: 2023-09-11 Date of issue: 2023-09-11 Filename: 271509_eng.pdf

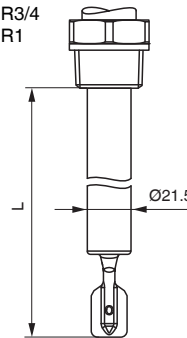
Extension tube

Thread: G3/4A
G1A



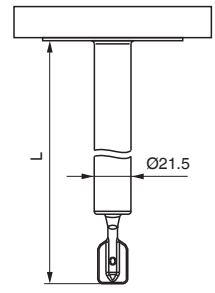
from seal surface of
thread adapter

Thread: 3/4NPT
1NPT
R3/4
R1



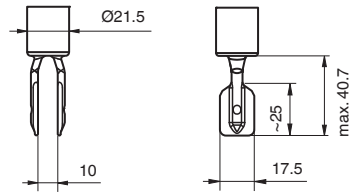
from lower edge
of thread

Flanges and flange-like
process connections



L = 148 mm ... 3000 mm
up to 6000 mm on request

Vibration fork



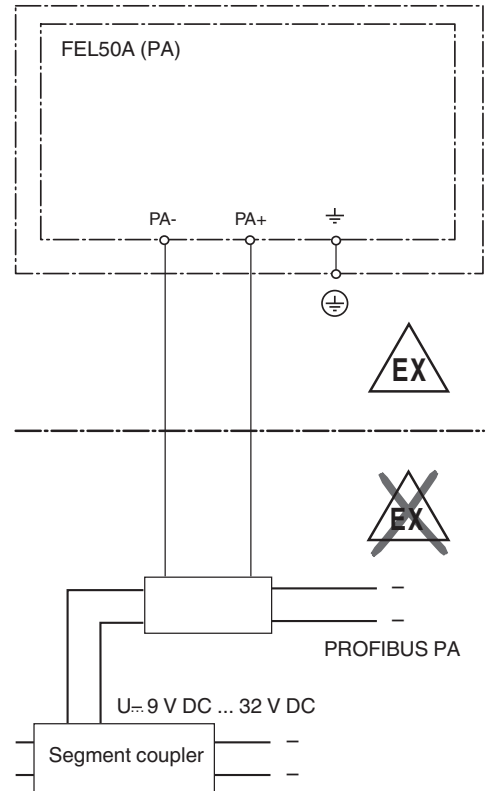
Connection

Electronic insert FEL50A (PA)

2-wire connection for power supply and data transfer for connecting to PROFIBUS PA

Additional functions:

- Digital communication enables the representation, reading and editing of the following parameters: fork frequency, switch-on frequency, switch-off frequency, switch-on time and switch-off time, status, measured value, density switch.
- Matrix locking possible.
- Switch to WHG mode possible (WHG approval).
- You can also visit www.profibus.com for more information.



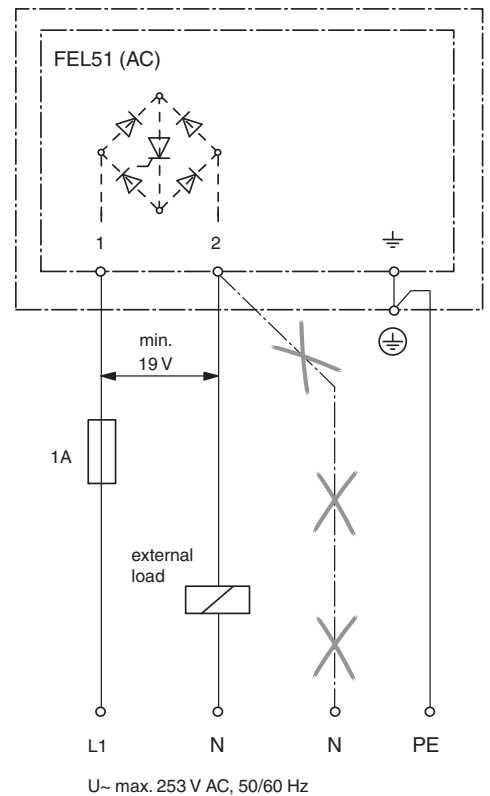
Electronic insert FEL51 (AC)

2-wire AC connection

Always connect in series with a load!

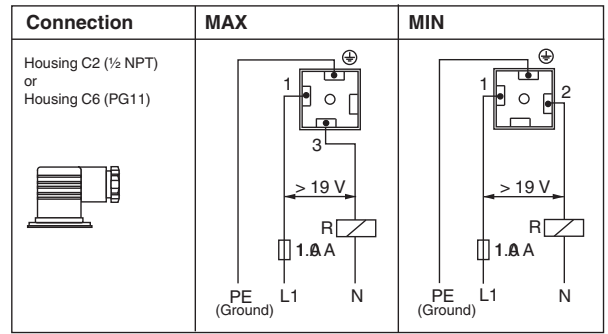
Check the following:

- the residual current in blocked state (up to 3.8 mA)
- that for low voltage
 - The voltage drop across the load is such that the minimum terminal voltage at the electronic insert (19 V) when blocked is not undershot.
 - The voltage drop across the electronics when switched through is observed (up to 12 V).
- that a relay cannot de-energise with holding power below 3.8 mA
If this is the case, a resistor should be connected parallel to the relay (RC module available on request).
- When selecting the relay, pay attention to the holding power/rated power (see connectable load).



Release date: 2023-09-11 Date of issue: 2023-09-11 Filename: 271509_eng.pdf

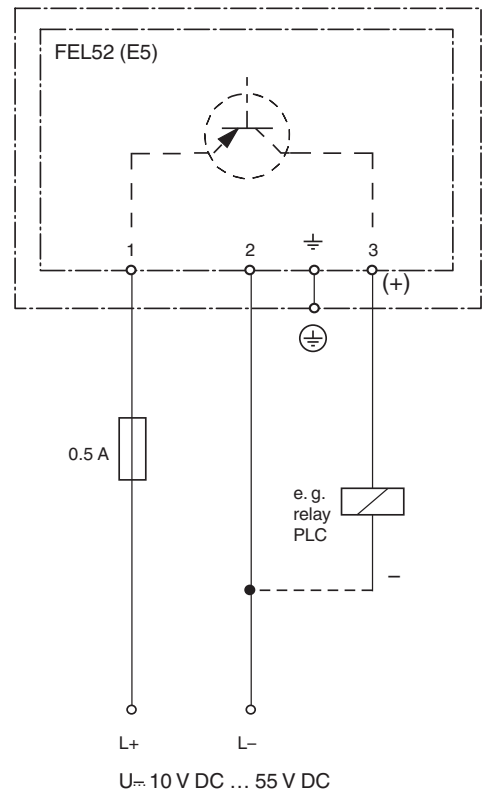
Electronic FEL51 (AC) in compact housing



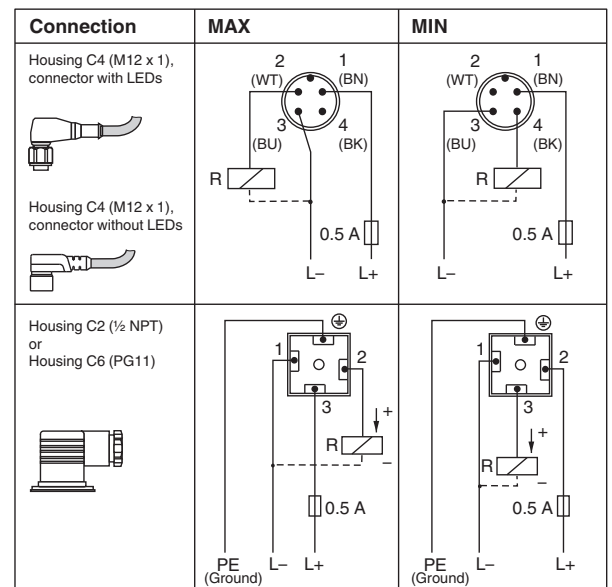
Electronic insert FEL52 (E5)

3-wire DC connection

- preferably used with programmable logic controllers (PLC), DI module as per EN 61131-2.
- positive signal at switching output of the electronics (PNP)
- Output blocked on reaching limit.



Electronic FEL52 (E5) in compact housing



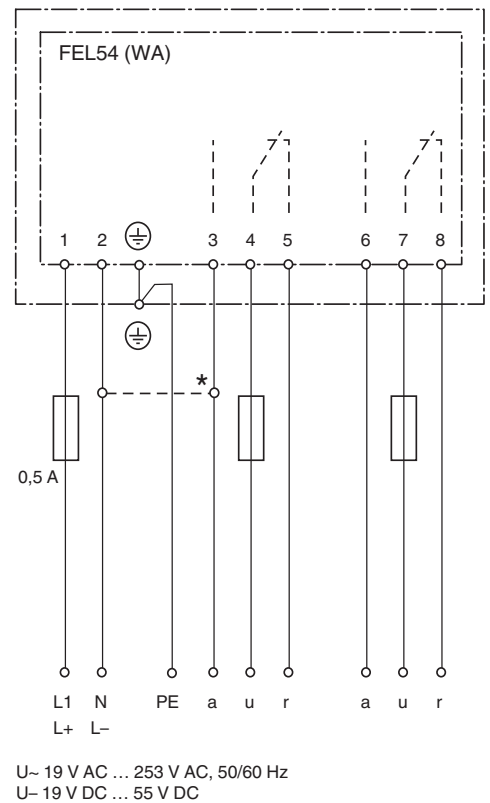
Release date: 2023-09-11 Date of issue: 2023-09-11 Filename: 271509_eng.pdf

Electronic insert FEL54 (WA)

Universal current connection with relay output

- Power supply:
Please note the different voltage ranges for AC and DC.
- Output:
When connecting an instrument with high inductance, provide a spark arrester to protect the relay contact.
A fine-wire fuse (depending on the load connected) protects the relay contact on short-circuiting.
Both relay contacts switch simultaneously.

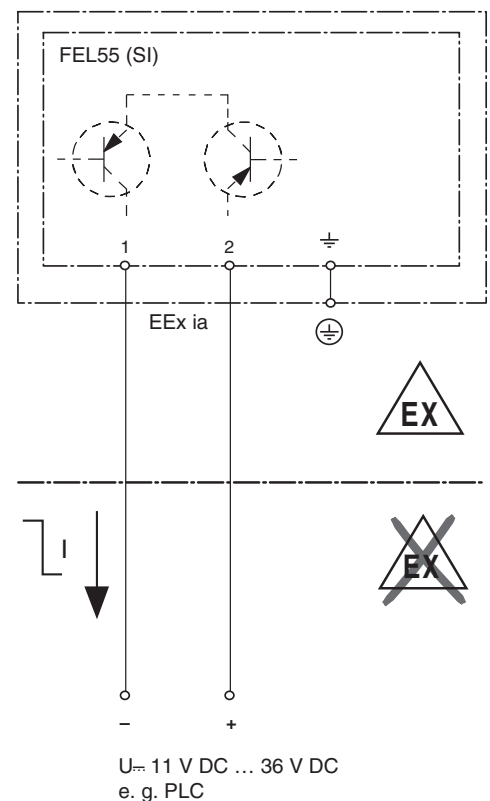
* When jumpered, the relay output works with NPN logic.



Electronic insert FEL55 (SI)

2-wire connection for separate switching unit

- for connecting to programmable logic controllers (PLC) for example, AI module 4 mA ... 20 mA to EN 61131-2
- Output signal jump from high to low current on limit (**H-L edge**)

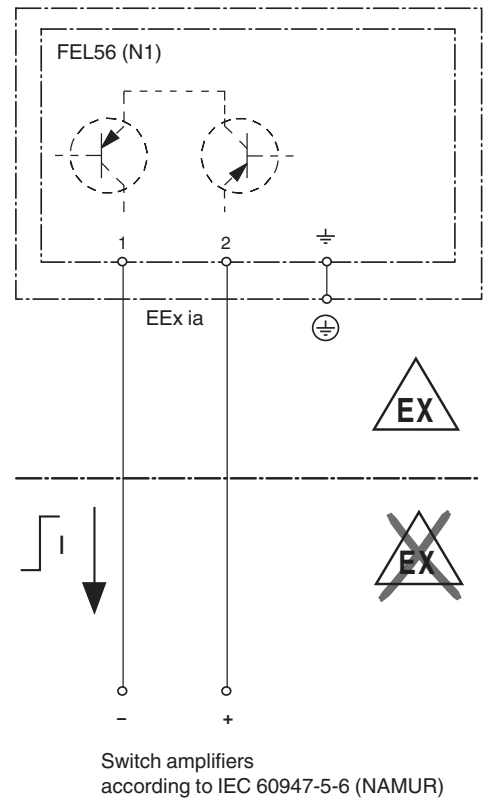


Electronic insert FEL56 (N1)

2-wire connection for separate switching unit

- for connecting to switch amplifiers acc. to NAMUR (IEC 60947-5-6), e. g. switch amplifiers from Pepperl+Fuchs
- Output signal jump from low to high current on limit (**L-H edge**)

Connecting to multiplexer: set clock time to min. 2 s.



Electronic insert FEL58 (N2)

2-wire connection for separate switching unit

- for connecting to switch amplifiers acc. to NAMUR (IEC 60947-5-6), e. g. switch amplifiers from Pepperl+Fuchs
- Output signal jump from high to low current on limit (**H-L edge**)

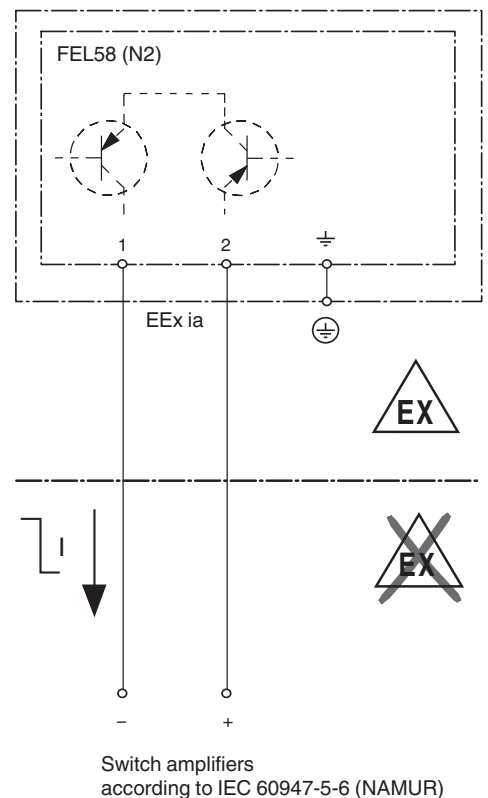
Additional function:

Test key on the electronic insert. Pressing the key breaks the connection to the switch amplifier.

Connecting to multiplexer: set clock time to min. 2 s.


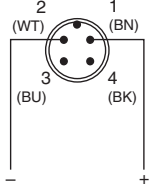
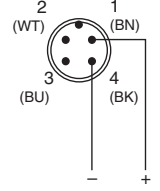


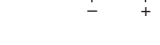

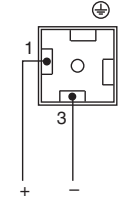
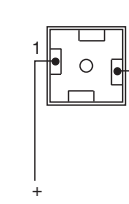
Note

For Ex-d applications, the additional function can only be used if the housing is not exposed to an explosive atmosphere.



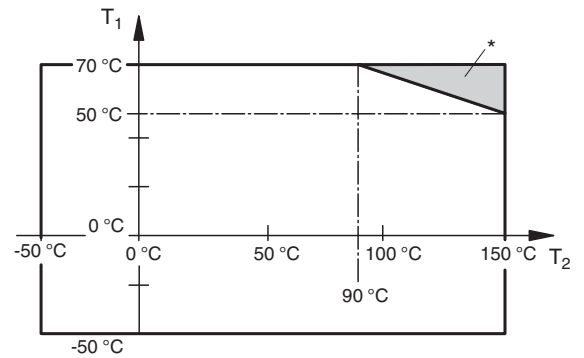
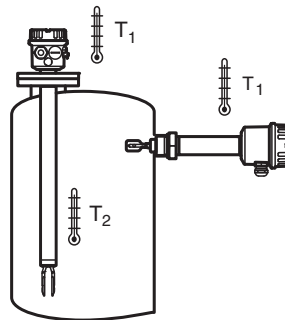
Release date: 2023-09-11 Date of issue: 2023-09-11 Filename: 271509_eng.pdf

Electronic FEL58 (N2) in compact housing

Connection	MAX	MIN
Housing C4 (M12 x 1), connector with LEDs 		
Housing C4 (M12 x 1), connector without LEDs 		
Housing C2 (½ NPT) or Housing C4 (PG11) 		

Characteristic Curve

Permissible ambient temperature T_1 at the housing depends on the product temperature T_2 in the vessel:



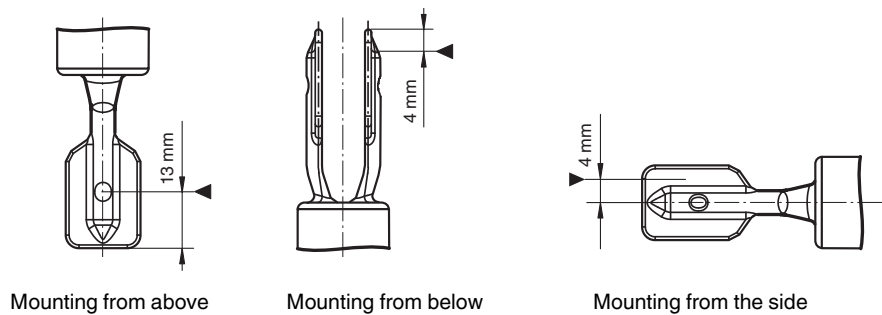
* additional temperature range for sensors with a temperature separator or pressure-tight bushing

Installation Conditions

Switch points on the sensor depend on the mounting position, with reference to water, density 1 g/cm³, 23 °C, p_e 0 bar.

Note:

The switch points of the Vibracon LVL-M2C are at other positions to those of the previous versions LVL1, LVL2.



Release date: 2023-09-11 Date of issue: 2023-09-11 Filename: 271509_eng.pdf