



# Terminal Module

## HiD2900TOP

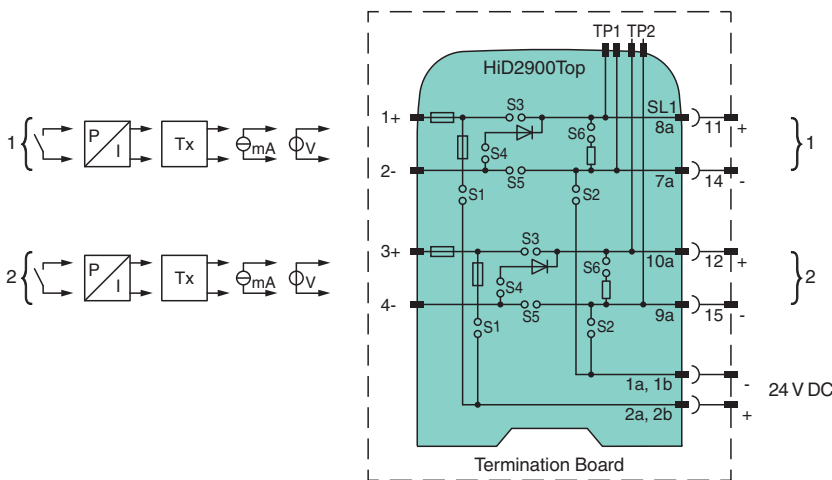
- 2-channel
- 24 V DC supply (bus powered)
- Field circuit protected by fuse



### Function

The device supports the pass-through of non-intrinsically safe signals from and to the control. The device uses the terminal block on the front side. Each channel can be configured via DIP switches for the pass-through of the input signal or the output signal. At the same time, the field device can be supplied via the power supply of the termination board. The device has an internal resistor. Use this resistance, if you want to convert a 0 mA ... 20 mA signal to a 0 V ... 5 V signal. Choose this function via DIP switches. This device mounts on a HiD Termination Board.

### Connection



### Technical Data

General specifications	
Signal type	Universal
<b>Supply</b>	
Connection	SL1: 1a(-), 1b(-); 2a(+), 2b(+)
Rated voltage	$U_r$ 20.4 ... 30 V via Termination Board
Power dissipation	0.2 W
Current	$\leq 75$ mA (per channel)
<b>Control circuit</b>	
Connection	SL1: 8a(+), 7a(-); 10a(+), 9a(-)
Signal	0 ... 20 mA 0 ... 5 V

Release date: 2023-06-05 Date of issue: 2023-06-05 Filename: 273161\_eng.pdf

Refer to "General Notes Relating to Pepperl+Fuchs Product Information".

Pepperl+Fuchs Group  
www.pepperl-fuchs.com

USA: +1 330 486 0002  
pa-info@us.pepperl-fuchs.com

Germany: +49 621 776 2222  
pa-info@de.pepperl-fuchs.com

Singapore: +65 6779 9091  
pa-info@sg.pepperl-fuchs.com

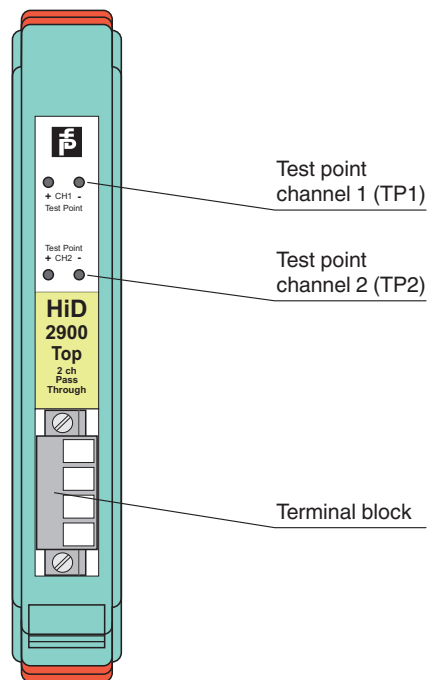
PEPPERL+FUCHS

## Technical Data

Internal resistor	R <sub>i</sub>	250 Ω via DIP switch and programmable
<b>Field circuit</b>		
Connection		terminals 1, 2, 3, 4
Signal		0 ... 20 mA
<b>Directive conformity</b>		
Electromagnetic compatibility		
Directive 2014/30/EU		EN 61326-1:2013 (industrial locations)
<b>Conformity</b>		
Electromagnetic compatibility		
For further information see system description.		
Degree of protection		
IEC 60529:2001		
<b>Ambient conditions</b>		
Ambient temperature		
0 ... 60 °C (32 ... 140 °F)		
Relative humidity		
5 ... 90 %, non-condensing up to 35 °C (95 °F)		
<b>Mechanical specifications</b>		
Degree of protection		
IP20		
Mass		
approx. 140 g		
Dimensions		
18 x 114 x 135 mm (0.7 x 4.5 x 5.3 inch) (W x H x D)		
Mounting		
on termination board		
<b>General information</b>		
Supplementary information		
Observe the certificates, declarations of conformity, instruction manuals, and manuals where applicable. For information see <a href="http://www.pepperl-fuchs.com">www.pepperl-fuchs.com</a> .		

## Assembly

### Front view



## Configuration



Configure the device in the following way:

- Push the red Quick Lok Bars on each side of the device in the upper position.
- Remove the device from termination board.
- Set the switches according to the figure in the **Configuration** section.

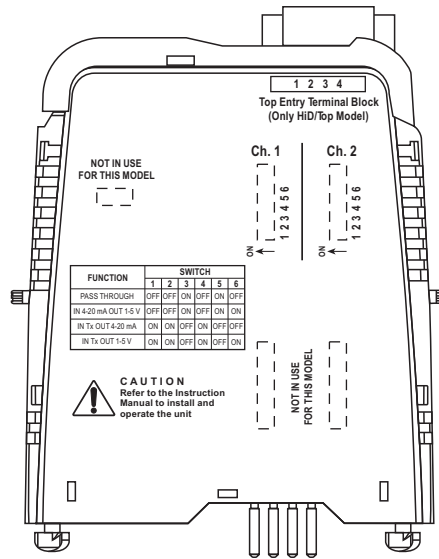
### Note

The pins for this device are trimmed to polarize it according to its safety parameters. Do not change the setting. For further information see system description.

**Accessories**

	<b>H-CJC-SP-8</b>	Resistance thermometer for cold junction compensation for H-System termination boards
	<b>H-CJC-SC-8</b>	Resistance thermometer for cold junction compensation for H-System termination boards

**Configuration**



**Switch position**

Function channel 1/channel 2	Switch					
	S1	S2	S3	S4	S5	S6
Pass-through	OFF	OFF	ON	OFF	ON	OFF
Input 4 mA ... 20 mA, output 1 V ... 5 V	OFF	OFF	ON	OFF	ON	ON
Power supply, output 4 mA ... 20 mA	ON	ON	OFF	ON	OFF	OFF
Power supply, output 1 V ... 5 V	ON	ON	OFF	ON	OFF	ON

Factory setting: pass-through

Release date: 2023-06-05 Date of issue: 2023-06-05 Filename: 273161\_eng.pdf