



Model Number

OHV300-CHARGER-B15

Charger for OHV300 with built-in Bluetooth modem

Features

- Paging button to locate the handheld

Function

The OHV-CHARGER-B15 charger allows you to charge the OHV200* handheld. The charger also includes a Bluetooth modem and a mini USB connection for transferring data.

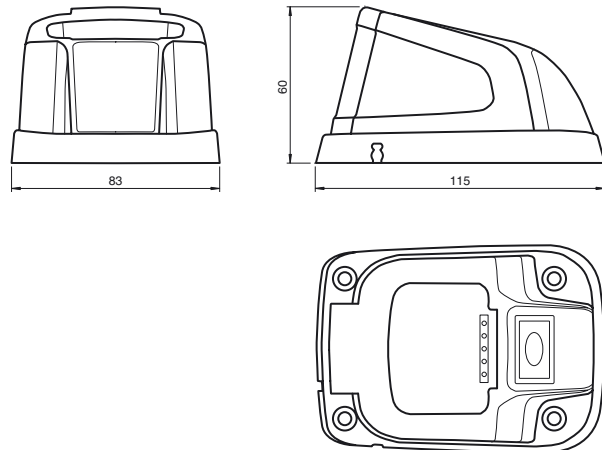
Accessories

USB-G-1M-PVC-ABG-USBB-G
Adapter cable, USB to mini USB

ODZ-MAH-SUPPLY
Power supply

ODZ-MAH-5V-110V
Power supply

Dimensions



Technical data

Indicators/operating means

| | |
|---------------------|--------------------------------|
| Operation indicator | LED green: supply |
| Function indicator | LED blue: Bluetooth connection |
| Switch | Bluetooth |
| Key | 1 button |

Electrical specifications

| | | |
|-------------------|-------|----------|
| Operating voltage | U_B | 5 V DC |
| Operating current | I_B | max. 1 A |

Interface

| | |
|----------------------------|---------------------------------|
| Physical | Bluetooth (Class II) , Mini USB |
| Transmitter frequency | 2402 ... 2480 MHz (Bluetooth) |
| Transmitter radiated power | 0.002 W |

Output

| | |
|--------------------------------|---------------|
| Output rated operating current | ≤ 542 mA |
| Output voltage | 4.2 V DC |

Ambient conditions

| | |
|---------------------|--------------------------------|
| Ambient temperature | -20 ... 55 °C (-4 ... 131 °F) |
| Storage temperature | -30 ... 65 °C (-22 ... 149 °F) |

Mechanical specifications

| | |
|------------|--|
| Connection | Supply voltage: 5.5 mm hollow socket Interface : Mini USB |
| Mass | 122 g |
| Dimensions | 115 mm x 83 mm x 60 mm (l x w x h) |

General information

| | |
|-------------------|--|
| Scope of delivery | charger + Adapter cable, USB to mini USB |
|-------------------|--|

Compliance with standards and directives

Standard conformity

| | |
|-------------------------------|---|
| Electromagnetic compatibility | ETSI EN 301489-1:V1.9.2 |
| | ETSI EN 301489-17:V2.2.1 |
| | EN 61000-6-1:2007 |
| | EN 61000-6-2:2005/AC:2005 |
| | EN 61000-6-3:2007/A1:2011/AC:2012 |
| Safety | EN 61000-6-4:2007/A1:2011 |
| | EN 60950-1:2006/A11:2009/A1:2010/A12:2011/AC:2011 |
| | EN 62311:2008 |
| Radio spectrum | ETSI EN 300328:V1.8.1 |
| Standards | EN 50581:2012 |

Approvals and certificates

| | |
|--------------|-------------------|
| FCC approval | FCC ID: QQ6-BTC02 |
|--------------|-------------------|