



### Model Number

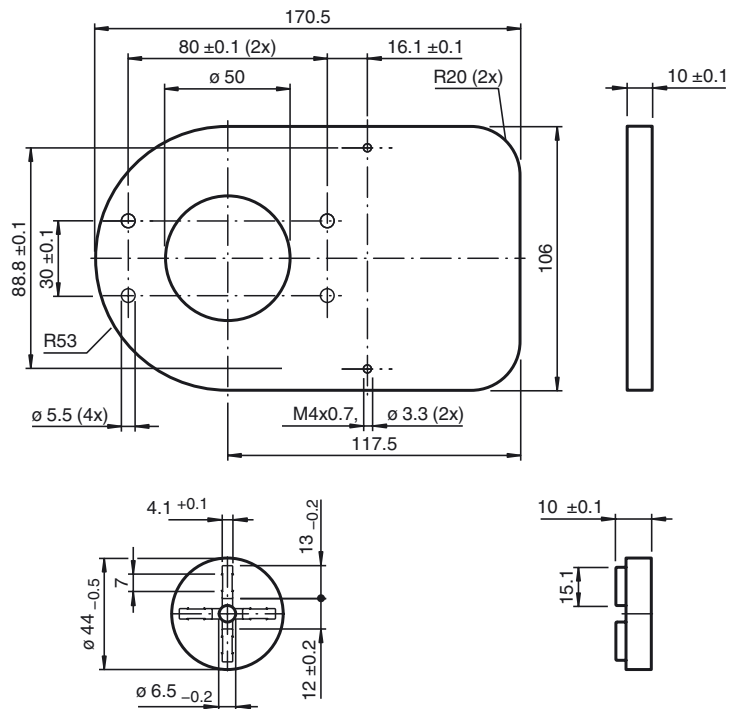
**MH-F31K-01**

Adapter plate

### Features

- Adapter plate for mounting the F31/ F31K on a small mounting surface with a hole pattern measuring 30 x 80 mm

### Dimensions



### Technical data

#### Mechanical specifications

Mounting hole pattern	30 x 80 mm
Material	PVC , grey
Spacer disk	PA (1 unit, 10 mm strong)
Mounting screw	stainless steel socket cap head screws DIN 912 For F31: 2 x M5 x 20 For F31K 2 x M5 x 25 For MH-F31K: 2 x M5 x 15 For BT65A with spacer: 1 x M6 x 35