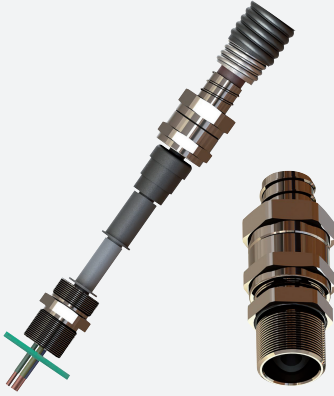


# Cable Glands, Metal, for Flexible Conduits

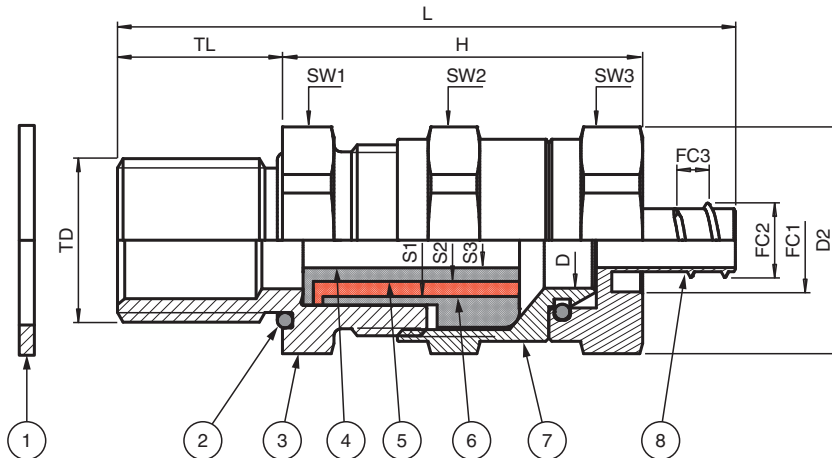
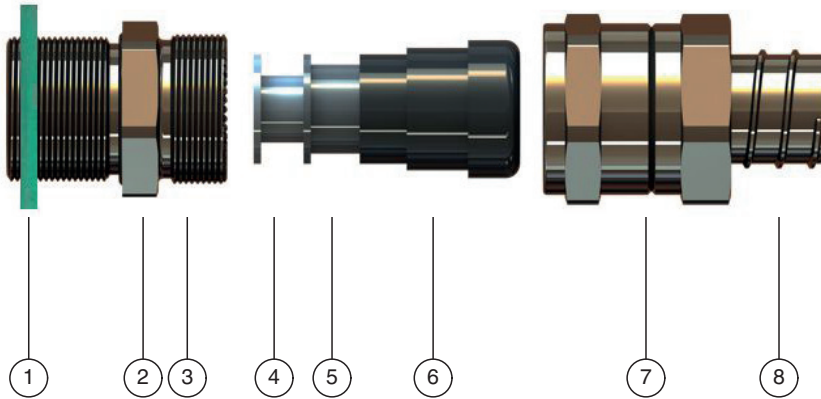
## CG.CO.M25.BN.C.16.K01



- For cables without armor
- Connection of flexible metallic conduits
- Brass nickel-plated
- Thread M25
- Seal chloroprene
- Ex db, Ex eb and Ex tb certified
- Suitable for operation in Zone 1, Zone 2, Zone 21 and Zone 22
- Packaging unit: 1 piece, kit with accessories



### Dimensions



Release date: 2024-07-17 Date of issue: 2024-07-17 Filename: 2911372\_eng.pdf

Refer to "General Notes Relating to Pepperl+Fuchs Product Information".

Pepperl+Fuchs Group  
www.pepperl-fuchs.com

USA: +1 330 486 0002  
pa-info@us.pepperl-fuchs.com

Germany: +49 621 776 2222  
pa-info@de.pepperl-fuchs.com

Singapore: +65 6779 9091  
pa-info@sg.pepperl-fuchs.com

**PF** PEPPERL+FUCHS

## Dimensions

Details see data table

| Legend |  |
|--------|--|
| 1      | Washer gasket (accessory)                |
| 2      | O-Ring                                   |
| 3      | Gland body basis                         |
| 4      | Seal insert S3                           |
| 5      | Seal insert S2                           |
| 6      | Seal insert S1                           |
| 7      | Connection body                          |
| 8      | Connection for flexible conduit          |
|        |  |
| D      | Clamping range, cable sheath diameter    |
| D2     | Width across corners                     |
| FC1    | Flexible conduit, max. outer diameter    |
| FC2    | Flexible conduit, inner diameter         |
| FC3    | Flexible conduit, corrugation size       |
| H      | Length outside enclosure                 |
| L      | Total length                             |
| S*     | Clamping range, seal insert combinations |
| SW*    | Width across flats                       |
| TD     | Thread size                              |
| TL     | Thread length                            |

## Technical Data

| Mechanical specifications                   |  |
|---|--|
| Cable type                                  | non-armored cables in flexible conduit |
| Clamping range (D)                          | 10 ... 18 mm                           |
| Seal combination S1                         | 14.5 ... 18 mm                         |
| Seal combination S1+S2                      | 12 ... 14.5 mm                         |
| Seal combination S1+S2+S3                   | 10 ... 12 mm                           |
| Thread type                                 | metric ISO pitch 1.5 mm                |
| Thread size (TD)                            | M25                                    |
| Degree of protection                        | IP66 / IP68                            |
| Material                                    |  |
| Finish                                      | inherent color silver                  |
| Cable gland                                 | brass, nickel-plated                   |
| Washer gasket                               | aramid fibers bonded with NBR          |
| O-Ring                                      | chloroprene                            |
| Seal insert                                 | chloroprene                            |
| Mass  |  |
| Individual component                        | approx. 100 g                          |
| Packing unit                                | approx. 145 g                          |
| Dimensions                                  |  |
| Width across corners (D2)                   | 31.5 mm                                |
| Diameter thru-hole (DT)                     | 25 ... 25.2 mm                         |
| Flexible conduit, max. outer diameter (FC1) | 27.5 mm                                |
| Flexible conduit, inner diameter (FC2)      | 20 mm                                  |
| Flexible conduit, corrugation size (FC3)    | 4.5 mm                                 |
| Length outside enclosure (H)                | 42 mm                                  |

Release date: 2024-07-17 Date of issue: 2024-07-17 Filename: 2911372\_eng.pdf

Refer to "General Notes Relating to Pepperl+Fuchs Product Information".

Pepperl+Fuchs Group  
www.pepperl-fuchs.com

USA: +1 330 486 0002  
pa-info@us.pepperl-fuchs.com

Germany: +49 621 776 2222  
pa-info@de.pepperl-fuchs.com

Singapore: +65 6779 9091  
pa-info@sg.pepperl-fuchs.com

 **PEPPERL+FUCHS**

## Technical Data

|  |  |
|--|--|
| Width across flats (SW1)                                       | 28 mm  |
| Width across flats (SW2)                                       | 29 mm  |
| Width across flats (SW3)                                       | 29 mm  |
| Thread length (TL)   | 16 mm  |
| Total length (L)   | 73 mm  |
| <b>Tightening torque</b>                                       |  |
| Nut torque at enclosure (SW1)                                  | 6 Nm   |
| Nut torque 2 with seal S1 (SW2)                                | 18 Nm  |
| Nut torque 2 with seals S1+S2 (SW2)                            | 22 Nm  |
| Nut torque 2 with seals S1+S2+S3 (SW2)                         | 25 Nm  |
| <b>Ambient conditions</b>                                      |  |
| Ambient temperature  | -40 ... 80 °C (-40 ... 176 °F)<br>washer gasket -40 ... 80 °C (-40 ... 176 °F)   |
| <b>Data for application in connection with hazardous areas</b> |  |
| EU-type examination certificate                                | IMQ 14 ATEX 012X   |
| Marking  | Ⓜ II 2 GD<br>Ex db IIC Gb<br>Ex eb IIC Gb<br>Ex tb IIIC Db   |
| <b>International approvals</b>                                 |  |
| IECEX approval   | IECEX IMQ 14.0004X   |
| UKCA approval  | CML 21 UKEX 11380X   |
| INMETRO approval   | DNV 20.0029 X  |
| CCC approval   | 2021312313000344   |
| <b>Conformity</b>  |  |
| Degree of protection   | EN 60529   |
| <b>General information</b>                                     |  |
| Delivery quantity  | 1  |
| Scope of delivery  | Cable gland<br>washer gasket<br>locknut<br>Earth tag<br>Brief instructions   |
| Supplementary information                                      | EC-Type Examination Certificate, Statement of Conformity, Declaration of Conformity, Attestation of Conformity and instructions have to be observed where applicable. For information see <a href="http://www.pepperl-fuchs.com">www.pepperl-fuchs.com</a> . |