

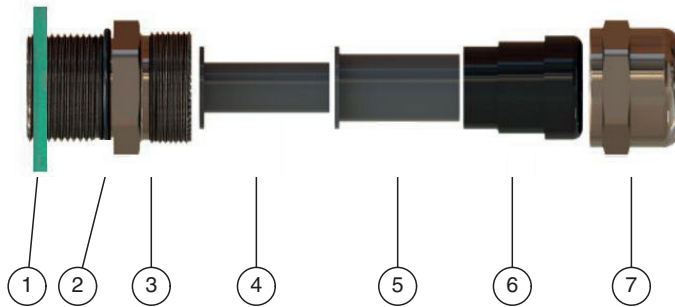
Cable Glands, Metal, for non-armored Cables

CG.NA.NPT3/4S.BN.C.16.K01

- For cables without armor
- Brass nickel-plated
- Thread NPT 3/4"
- Seal chloroprene
- Ex db, Ex eb and Ex tb certified
- Suitable for operation in Zone 1, Zone 2, Zone 21 and Zone 22
- Suitable for operation in Class I, Zone 1/2/22
- Suitable for operation in Class I, Division 2 when installed in accordance with NEC501.10(B)(2)
- Degree of protection IP66 / IP68, UL Type 4X
- Packaging unit: 1 piece, kit with accessories



Dimensions



Release date: 2023-10-17 Date of issue: 2023-10-17 Filename: 291381_eng.pdf

Refer to "General Notes Relating to Pepperl+Fuchs Product Information".

Pepperl+Fuchs Group
www.pepperl-fuchs.com

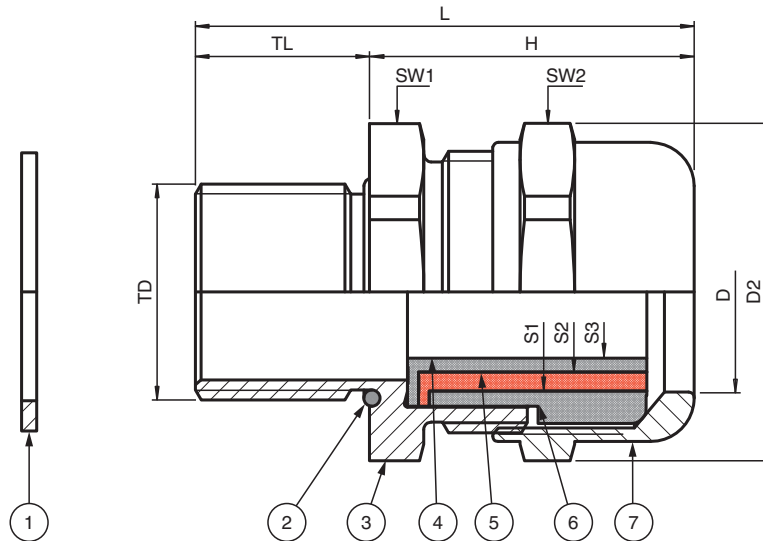
USA: +1 330 486 0002
pa-info@us.pepperl-fuchs.com

Germany: +49 621 776 2222
pa-info@de.pepperl-fuchs.com

Singapore: +65 6779 9091
pa-info@sg.pepperl-fuchs.com

 PEPPERL+FUCHS

Dimensions



Details see data table

| Legend | |
|--------|--|
| 1 | Washer gasket (accessory) |
| 2 | O-Ring |
| 3 | Gland body basis |
| 4 | Seal insert S3 |
| 5 | Seal insert S2 |
| 6 | Seal insert S1 |
| 7 | Cap nut |
| D | Clamping range, cable sheath diameter |
| D2 | Width across corners |
| H | Length outside enclosure |
| L | Total length |
| S* | Clamping range, seal insert combinations |
| SW* | Width across flats |
| TD | Thread size |
| TL | Thread length |

Release date: 2023-10-17 Date of issue: 2023-10-17 Filename: 291381_eng.pdf

Technical Data

Mechanical specifications

Refer to "General Notes Relating to Pepperl+Fuchs Product Information".

Technical Data

| | |
|--|--|
| Cable type | non-armored cables |
| Clamping range (D) | 10 ... 18 mm |
| Seal combination S1 | 14.5 ... 18 mm |
| Seal combination S1+S2 | 12 ... 14.5 mm |
| Seal combination S1+S2+S3 | 10 ... 12 mm |
| Thread type | NPT ANSI ASME B1.20.1 |
| Thread size (TD) | NPT 3/4" |
| Degree of protection | IP66 / IP68 , UL Type 4X |
| Material | |
| Finish | inherent color silver |
| Cable gland | brass, nickel-plated |
| Washer gasket | aramid fibers bonded with NBR |
| O-Ring | chloroprene |
| Seal insert | chloroprene |
| Mass | |
| Individual component | approx. 85 g |
| Packing unit | approx. 102 g |
| Dimensions | |
| Width across corners (D2) | 31 mm |
| Diameter thru-hole (DT) | 26.7 ... 26.9 mm |
| Length outside enclosure (H) | 32 mm |
| Width across flats (SW1) | 28 mm |
| Width across flats (SW2) | 28 mm |
| Thread length (TL) | 16 mm |
| Total length (L) | 48 mm |
| Tightening torque | |
| Nut torque at enclosure (SW1) | 10 Nm |
| Nut torque 2 with seal S1 (SW2) | 18 Nm |
| Nut torque 2 with seals S1+S2 (SW2) | 22 Nm |
| Nut torque 2 with seals S1+S2+S3 (SW2) | 25 Nm |
| Ambient conditions | |
| Ambient temperature | -40 ... 80 °C (-40 ... 176 °F) washer gasket -40 ... 80 °C (-40 ... 176 °F) |
| Data for application in connection with hazardous areas | |
| EU-type examination certificate | IMQ 14 ATEX 012X |
| Marking | Ⓜ II 2 GD Ex db IIC Gb Ex eb IIC Gb Ex tb IIC Db |
| International approvals | |
| UL approval | |
| cULus | E490324 tested to UL 514B E490962 tested to UL 2225 CSA 60079-7 , CSA 60079-31 |
| IECEx approval | IECEx IMQ 14.0004X |
| UKCA approval | CML 21 UKEX 11380X |
| INMETRO approval | DNV 20.0029 X |
| CCC approval | 2021312313000344 |
| Conformity | |
| Degree of protection | EN 60529 |
| General information | |
| Delivery quantity | 1 |
| Scope of delivery | Cable gland shroud PVC Brief instructions |

Release date: 2023-10-17 Date of issue: 2023-10-17 Filename: 291381_eng.pdf

Technical Data

| | |
|---------------------------|--|
| Supplementary information | EC-Type Examination Certificate, Statement of Conformity, Declaration of Conformity, Attestation of Conformity and instructions have to be observed where applicable. For information see www.pepperl-fuchs.com . |
| Accessories | |
| Sealing plugs | BP.NA.M20-M25S.PA |