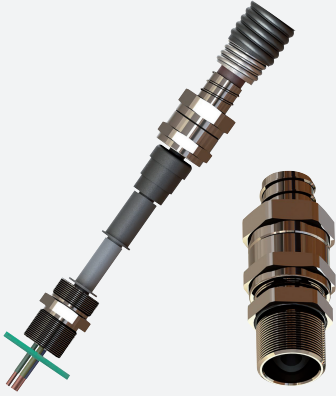


Cable Glands, Metal, for Flexible Conduits

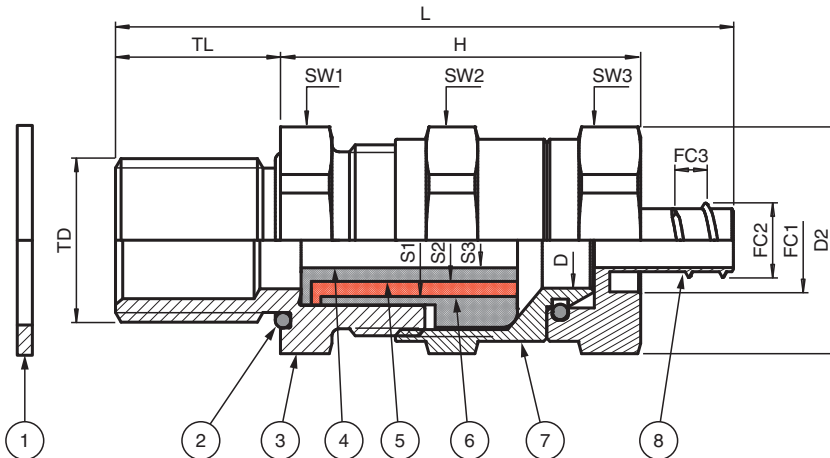
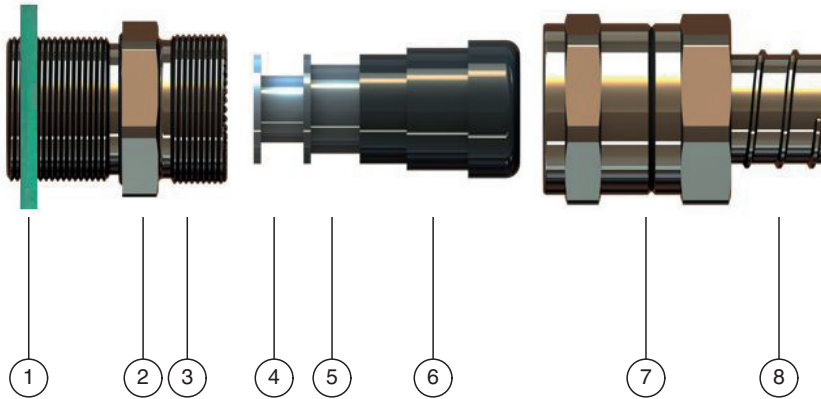
CG.CO.NPT3/4.BN.C.16.K01



- For cables without armor
- Connection of flexible metallic conduits
- Brass nickel-plated
- Thread NPT 3/4"
- Seal chloroprene
- Ex db, Ex eb and Ex tb certified
- Suitable for operation in Zone 1, Zone 2, Zone 21 and Zone 22
- Packaging unit: 1 piece, kit with accessories



Dimensions



Release date: 2024-07-16 Date of issue: 2024-07-16 Filename: 291439_eng.pdf

Refer to "General Notes Relating to Pepperl+Fuchs Product Information".

Pepperl+Fuchs Group
www.pepperl-fuchs.com

USA: +1 330 486 0002
pa-info@us.pepperl-fuchs.com

Germany: +49 621 776 2222
pa-info@de.pepperl-fuchs.com

Singapore: +65 6779 9091
pa-info@sg.pepperl-fuchs.com

PEPPERL+FUCHS

Dimensions

Details see data table

| Legend | |
|--------|--|
| 1 | Washer gasket (accessory) |
| 2 | O-Ring |
| 3 | Gland body basis |
| 4 | Seal insert S3 |
| 5 | Seal insert S2 |
| 6 | Seal insert S1 |
| 7 | Connection body |
| 8 | Connection for flexible conduit |
| | |
| D | Clamping range, cable sheath diameter |
| D2 | Width across corners |
| FC1 | Flexible conduit, max. outer diameter |
| FC2 | Flexible conduit, inner diameter |
| FC3 | Flexible conduit, corrugation size |
| H | Length outside enclosure |
| L | Total length |
| S* | Clamping range, seal insert combinations |
| SW* | Width across flats |
| TD | Thread size |
| TL | Thread length |

Technical Data

| Mechanical specifications | |
|---|--|
| Cable type | non-armored cables in flexible conduit |
| Clamping range (D) | 10 ... 18 mm |
| Seal combination S1 | 14.5 ... 18 mm |
| Seal combination S1+S2 | 12 ... 14.5 mm |
| Seal combination S1+S2+S3 | 10 ... 12 mm |
| Thread type | NPT ANSI ASME B1.20.1 |
| Thread size (TD) | NPT 3/4" |
| Degree of protection | IP66 / IP68 |
| Material | |
| Finish | inherent color silver |
| Cable gland | brass, nickel-plated |
| Washer gasket | aramid fibers bonded with NBR |
| O-Ring | chloroprene |
| Seal insert | chloroprene |
| Mass | |
| Individual component | approx. 106 g |
| Packing unit | approx. 116 g |
| Dimensions | |
| Width across corners (D2) | 31.5 mm |
| Diameter thru-hole (DT) | 26.7 ... 26.9 mm |
| Flexible conduit, max. outer diameter (FC1) | 27.5 mm |
| Flexible conduit, inner diameter (FC2) | 20 mm |
| Flexible conduit, corrugation size (FC3) | 4.5 mm |
| Length outside enclosure (H) | 41.5 mm |

Release date: 2024-07-16 Date of issue: 2024-07-16 Filename: 291439_eng.pdf

Refer to "General Notes Relating to Pepperl+Fuchs Product Information".

Pepperl+Fuchs Group
www.pepperl-fuchs.com

USA: +1 330 486 0002
pa-info@us.pepperl-fuchs.com

Germany: +49 621 776 2222
pa-info@de.pepperl-fuchs.com

Singapore: +65 6779 9091
pa-info@sg.pepperl-fuchs.com

 PEPPERL+FUCHS

Technical Data

| | |
|--|--|
| Width across flats (SW1) | 28 mm |
| Width across flats (SW2) | 29 mm |
| Width across flats (SW3) | 29 mm |
| Thread length (TL) | 16 mm |
| Total length (L) | 72.5 mm |
| Tightening torque | |
| Nut torque at enclosure (SW1) | 5.5 Nm |
| Nut torque 2 with seal S1 (SW2) | 18 Nm |
| Nut torque 2 with seals S1+S2 (SW2) | 22 Nm |
| Nut torque 2 with seals S1+S2+S3 (SW2) | 25 Nm |
| Ambient conditions | |
| Ambient temperature | -40 ... 80 °C (-40 ... 176 °F) washer gasket -40 ... 80 °C (-40 ... 176 °F) |
| Data for application in connection with hazardous areas | |
| EU-type examination certificate | IMQ 14 ATEX 012X |
| Marking | Ⓜ II 2 GD Ex db IIC Gb Ex eb IIC Gb Ex tb IIIC Db |
| International approvals | |
| IECEX approval | IECEX IMQ 14.0004X |
| UKCA approval | CML 21 UKEX 11380X |
| INMETRO approval | DNV 20.0029 X |
| CCC approval | 2021312313000344 |
| Conformity | |
| Degree of protection | EN 60529 |
| General information | |
| Delivery quantity | 1 |
| Scope of delivery | Cable gland Brief instructions |
| Supplementary information | EC-Type Examination Certificate, Statement of Conformity, Declaration of Conformity, Attestation of Conformity and instructions have to be observed where applicable. For information see www.pepperl-fuchs.com . |