



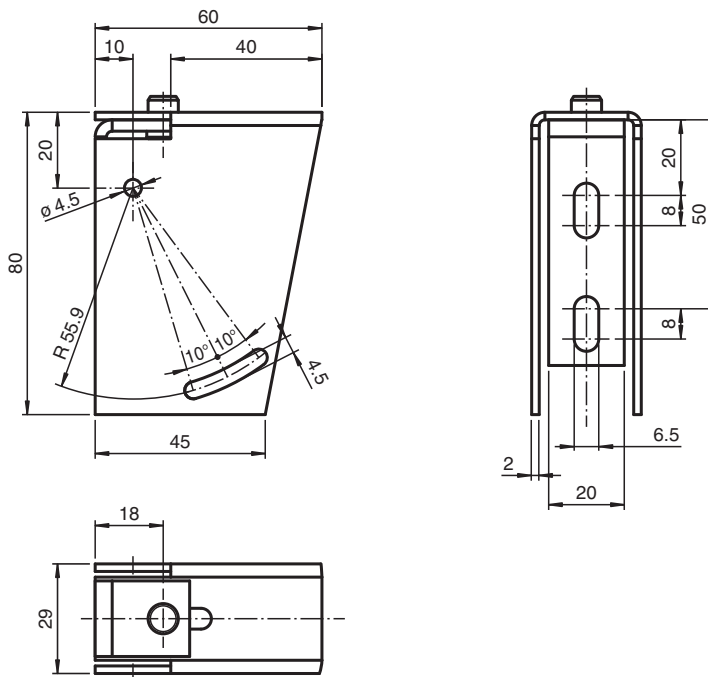
Mounting aid OMH-RL31-07



- Simple installation and exact setting
- Solid fixture for rear panel mounting
- Infinitely variable $\pm 10^\circ$ horizontal
- Infinitely variable $\pm 90^\circ$ vertical

Mounting bracket including adjustment

Dimensions



Technical Data

Mechanical specifications

Material	aluminum
Mass	approx. 160 g
Mounting	Mounting accessories included
Suitable series	
Series	Series 31

Release date: 2020-03-24 Date of issue: 2020-06-30 Filename: 292771_eng.pdf

Refer to "General Notes Relating to Pepperl+Fuchs Product Information".

Pepperl+Fuchs Group
www.pepperl-fuchs.com

USA: +1 330 486 0001
fa-info@us.pepperl-fuchs.com

Germany: +49 621 776 1111
fa-info@de.pepperl-fuchs.com

Singapore: +65 6779 9091
fa-info@sg.pepperl-fuchs.com

PF PEPPERL+FUCHS