



Optical reading head

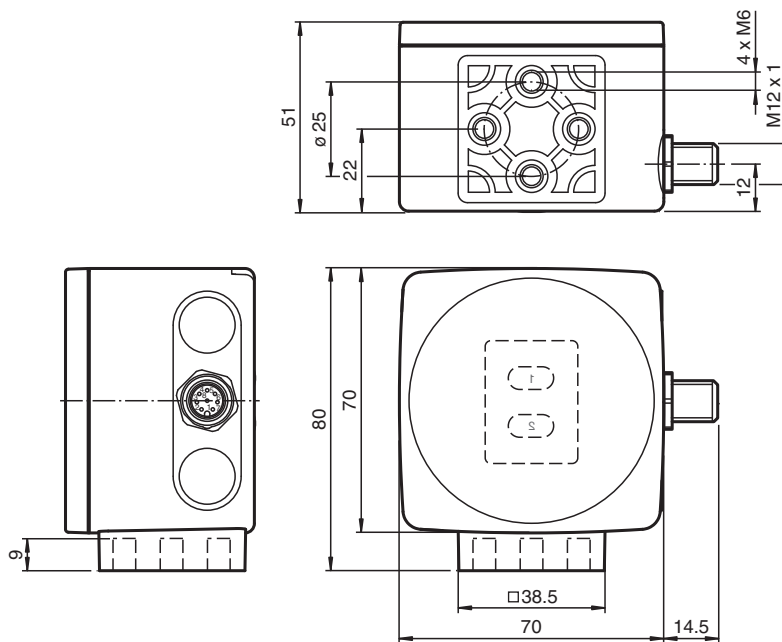
PXV100AQS-F200-B33-V19-6011-T

- RS-485 interface
- Non-contact positioning on Data Matrix code tape
- Mechanically rugged: no wearing parts, long operating life, maintenance-free
- High resolution and precise positioning, especially for facilities with curves and switch points as well as inclines and declines.
- Traverse distance up to 100 km
- Quality assessment of the scene
- Adaptive DMC scan position

Read head for incident light positioning system



Dimensions



Technical Data

General specifications

| | |
|---------------------|-------------------------------------|
| Light type | Integrated LED lightning (red/blue) |
| Read distance | 100 mm |
| Depth of focus | ± 30 mm |
| Ambient light limit | 30000 Lux |

Nominal ratings

| | |
|--------|-----------------------|
| Camera | |
| Type | CMOS , Global shutter |

Functional safety related parameters

| | |
|-------------------|------|
| MTTF _d | 78 a |
|-------------------|------|

Release date: 2024-02-07 Date of issue: 2024-02-07 Filename: 293431-100027_eng.pdf

Refer to "General Notes Relating to Pepperl+Fuchs Product Information".

Pepperl+Fuchs Group
www.pepperl-fuchs.com

USA: +1 330 486 0001
fa-info@us.pepperl-fuchs.com

Germany: +49 621 776 1111
fa-info@de.pepperl-fuchs.com

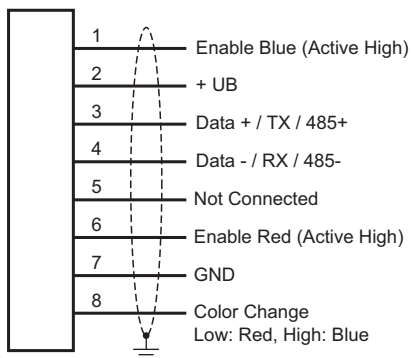
Singapore: +65 6779 9091
fa-info@sg.pepperl-fuchs.com

 PEPPERL+FUCHS

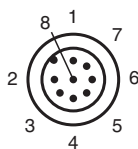
Technical Data

| | | |
|----------------------------------|----------------|------------------------------------------------------------------------------------------------------------------------|
| Mission Time (T _M) | | 10 a |
| Diagnostic Coverage (DC) | | 0 % |
| Electrical specifications | | |
| Operating voltage | U _B | 14.5 ... 30 V DC , PELV (with unloaded switching outputs) |
| No-load supply current | I ₀ | max. 200 mA |
| Power consumption | P ₀ | 3 W |
| Interface | | |
| Interface type | | RS 485 interface |
| Transfer rate | | 115200 Bit/s |
| Input | | |
| Input type | | Input 1: enable blue (active high) Input 2: enable red (active high) Input 3: color change (low:red, high: blue) |
| Output | | |
| Switching voltage | | Operating voltage |
| Switching current | | 150 mA each output |
| Ambient conditions | | |
| Storage temperature | | -40 ... 85 °C (-40 ... 185 °F) |
| Relative humidity | | 90 % , noncondensing |
| Mechanical specifications | | |
| Degree of protection | | IP67 |
| Material | | |
| Housing | | PC/ABS |
| Mass | | approx. 160 g |
| Dimensions | | |
| Height | | 70 mm |
| Width | | 70 mm |
| Depth | | 50 mm |

Connection



Connection Assignment



Function Principle

Position Data

