

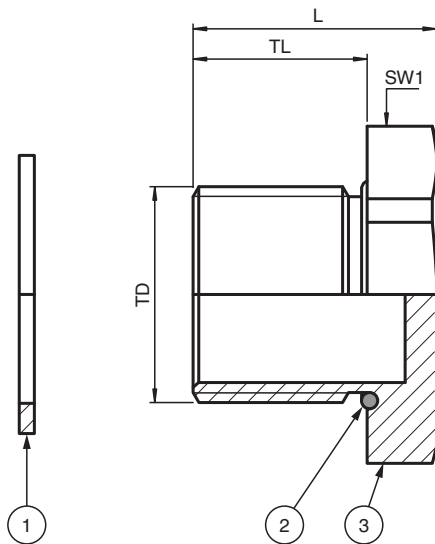


Stopping Plugs, Metal, Hexagon Head SP.MD.NPT3/4.SS.X.18.K01

- Stopping plug for unused cable entries
- Stainless Steel
- Thread NPT 3/4"
- Hexagon head
- Ex eb and Ex tb certified
- Suitable for operation in Zone 1, Zone 2, Zone 21 and Zone 22
- Suitable for operation in Class I, Zone 1/2/22
- Suitable for operation in Class I, Division 2 when installed in accordance with NEC501.10(B)(2)
- Degree of protection IP66 / IP68, UL Type 4X
- Packaging unit: 1 piece, kit with accessories



Dimensions



Details see data table

| Legend | |
|--------|---|
| 1 | Washer gasket (accessory, metric versions only) |
| 2 | O-Ring (metric versions only) |
| 3 | Stopping plug |
| L | Total length |
| SW* | Width across flats |
| TD | Thread size |
| TL | Thread length |

Release date: 2024-07-16 Date of issue: 2024-07-16 Filename: 293614_eng.pdf

Refer to "General Notes Relating to Pepperl+Fuchs Product Information".

Pepperl+Fuchs Group
www.pepperl-fuchs.com

USA: +1 330 486 0002
pa-info@us.pepperl-fuchs.com

Germany: +49 621 776 2222
pa-info@de.pepperl-fuchs.com

Singapore: +65 6779 9091
pa-info@sg.pepperl-fuchs.com

PF PEPPERL+FUCHS

Technical Data

| Mechanical specifications | |
|---|--|
| Thread type | NPT ANSI ASME B1.20.1 |
| Thread size (TD) | NPT 3/4" |
| Degree of protection | IP66 / IP68 , UL Type 4X |
| Material | |
| Finish | inherent color silver |
| Stopping plug | stainless steel |
| Mass | |
| Individual component | approx. 59 g |
| Packing unit | approx. 61 g |
| Dimensions | |
| Diameter thru-hole (DT) | 26.7 ... 26.9 mm |
| Width across flats (SW1) | 28 mm |
| Thread length (TL) | 18 mm |
| Total length (L) | 22 mm |
| Tightening torque | |
| Nut torque at enclosure (SW1) | 9 Nm |
| Ambient conditions | |
| Ambient temperature | -60 ... 130 °C (-76 ... 266 °F) washer gasket: -40 ... 80 °C (-40 ... 176 °F) |
| Data for application in connection with hazardous areas | |
| EU-type examination certificate | CESI 15 ATEX 029X |
| Marking | ⊕ II 2 GD Ex eb IIC Gb Ex tb IIIC Db |
| International approvals | |
| UL approval | |
| cULus | E305142 tested to UL 50E and UL 508A CSA C22.2, No. 14-13 |
| IECEx approval | IECEx CES 15.0006X |
| UKCA approval | CML 22 UKEX 1267X |
| CCC approval | 2021312313000343 |
| Conformity | |
| Degree of protection | EN 60529 |
| General information | |
| Delivery quantity | 1 |
| Scope of delivery | Stopping Plugs, Metal Brief instructions |
| Supplementary information | EC-Type Examination Certificate, Statement of Conformity, Declaration of Conformity, Attestation of Conformity and instructions have to be observed where applicable. For information see www.pepperl-fuchs.com . |

Release date: 2024-07-16 Date of issue: 2024-07-16 Filename: 293614_eng.pdf