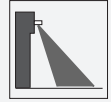


Sensor module, interface DoorScan Interface Set

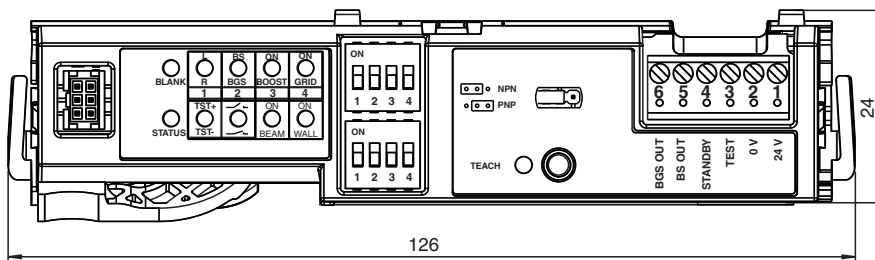


- Sensor module for configurable DoorScan® presence sensor
- Multi-function interface with full operation
- Complete system supply for the entire system for one door
- Can also be used to supply the emitter and receiver modules with power
- Single button commissioning with automatic Teach-in function
- SIL 2, certified in accordance with DIN 18650/EN 16005
- Tool-free module mounting using snap-in mechanism
- Door transition cable to connect the sensor to the controller

Replacement/extension sensor module for installation in the DoorScan® and TopScan sensor profile, multifunction interface module with door transition cable



Dimensions



Technical Data

General specifications	
Operating mode	Background evaluation
Functional safety related parameters	
Safety Integrity Level (SIL)	SIL 2
Performance level (PL)	PL d
Category	Cat. 2
MTTF _d	2716 a
Mission Time (T _M)	20 a
Diagnostic Coverage (DC)	90 %
Indicators/operating means	
Function indicator	Interface: Red LED: detection, excess gain, fault code Yellow LED: teach status Green LED: blank status Green LED: DIP switch status
Electrical specifications	
Operating voltage	U _B 24 V DC +/- 20 %
No-load supply current	I ₀ 30 mA
Input	

Release date: 2020-03-24 Date of issue: 2020-10-08 Filename: 299670_eng.pdf

Refer to "General Notes Relating to Pepperl+Fuchs Product Information".

Pepperl+Fuchs Group
www.pepperl-fuchs.com

USA: +1 330 486 0001
fa-info@us.pepperl-fuchs.com

Germany: +49 621 776 1111
fa-info@de.pepperl-fuchs.com

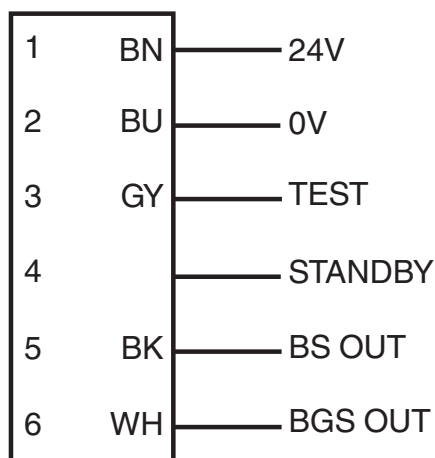
Singapore: +65 6779 9091
fa-info@sg.pepperl-fuchs.com

PEPPERL+FUCHS

Technical Data

Test input	High active at U = 15 V DC to 30 V DC Low active at U = < 2 V DC
Control input	Standby active at U = 11 V DC at 30 V DC
Output	
Switching type	Hinge edge light on Leading edge light on/dark on, switchable
Signal output	NPN , short-circuit protected
Switching voltage	max. 30 V DC
Switching current	max. 100 mA
Response time	≤ 52 ms ≤ 200 ms in boost operating mode
Conformity	
Functional safety	ISO 13849-1 ; EN 61508 part1-4
Product standard	EN 12978
Approvals and certificates	
CCC approval	CCC approval / marking not required for products rated ≤36 V
Ambient conditions	
Ambient temperature	-30 ... 60 °C (-22 ... 140 °F)
Mechanical specifications	
Mounting height	max. 3500 mm
Degree of protection	IP54 (iwhen mounted)
Connection	plug strip , 6-pin Cable: screw terminal , 6-pin
Material	Cable sheathing: polyamide PA 6, black , Wall bracket: ABS
Cable	PUR, gray, 6-wire
Sheath diameter	approx. 4.8 mm
Bending radius	min. 48 mm
Length	L 5000 mm
Mass	approx. 140 g
General information	
Scope of delivery	Sensor module, interface , Wall bracket , Screw kit , cord grip , cable , Cable sheathing , Hollow rivet
Suitable series	
Series	DoorScan®

Connection Assignment



Release date: 2020-03-24 Date of issue: 2020-10-08 Filename: 299670_eng.pdf

Refer to "General Notes Relating to Pepperl+Fuchs Product Information".

Pepperl+Fuchs Group
www.pepperl-fuchs.com

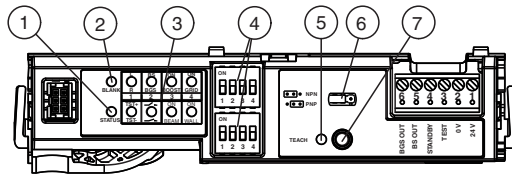
USA: +1 330 486 0001
fa-info@us.pepperl-fuchs.com

Germany: +49 621 776 1111
fa-info@de.pepperl-fuchs.com

Singapore: +65 6779 9091
fa-info@sg.pepperl-fuchs.com

 PEPPERL+FUCHS

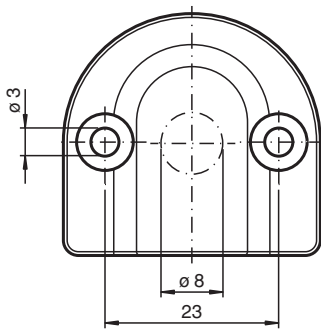
Assembly





- | | |
|-------------------------------|--------------------|
| 1 STATUS LED red | 5 TEACH LED yellow |
| 2 BLANK LED green | 6 Jumper |
| 3 DIP LEDs green | 7 TEACH button |
| 4 DIP switches - rows 1 and 2 | |

Mounting

Wall mount bracket



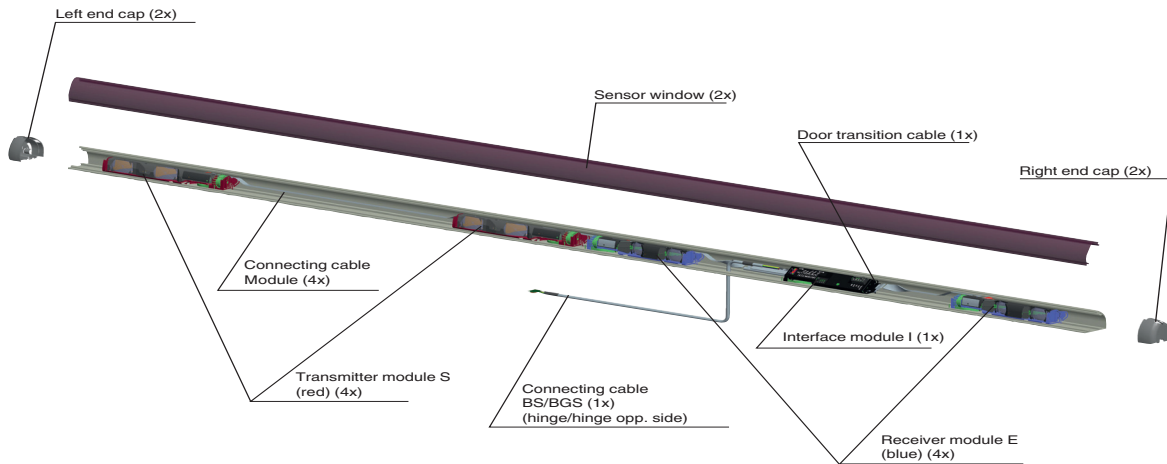
Accessories

	<p>DoorScan Cable BS/BGS Connecting cable for transition from hinge side to leading edge side</p>
	<p>DoorScan Connection Cable 5p Connecting cable with 5 plug-in connections for DoorScan®-I/-T/-R modules</p>

Release date: 2020-03-24 Date of issue: 2020-10-08 Filename: 299670_eng.pdf

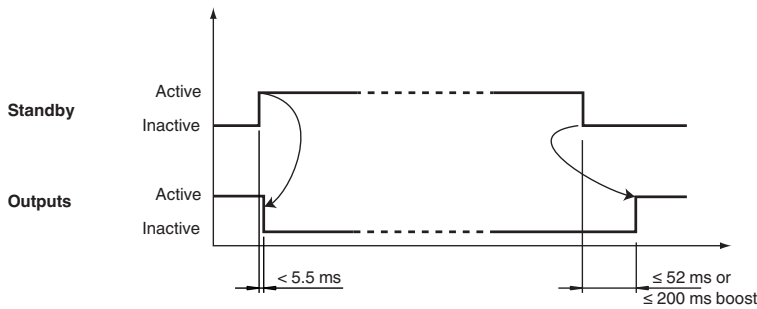
Additional Information

Layout of the sensor system for a door (hinge/leading edge side)



Standby

When the supply voltage is applied, the sensor is put into standby — the energy consumption is reduced to less than 80% in this state. Once the signal is deactivated, the sensor is immediately ready for operation and enables the signal outputs within 52 ms and/or 200 ms (in boost operating mode) if the detection field is free.



Test input circuit

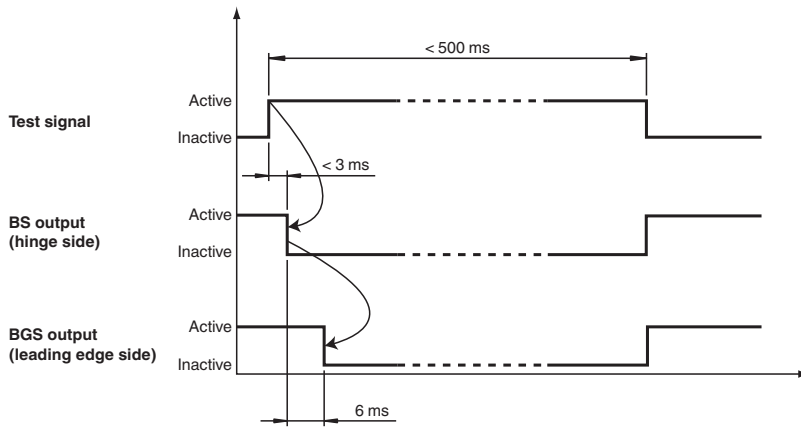
Test Function	Test inactive	Test active	Interface DIP switch 1, bottom row
High active			ON Test at +24 V
Low active			OFF Test at 0 V
High inactive			OFF Test at 0 V
Low inactive			ON Test at +24 V

Test signal

The signal outputs enable short circuit detection. In order to do so, the outputs carry out a delayed shutoff from each other (see

Release date: 2020-03-24 Date of issue: 2020-10-08 Filename: 299670_eng.pdf

signal curve).



Note!

The test signal must be in contact with the test input for at least 9 ms!
 The duration of the test signal must not exceed 0.5 s, otherwise this will deactivate the sensor.

Operating Modes

Boost operating mode

Activation with dark floors, even at high installation heights (increased sensitivity). In these cases, the response time of the sensor is increased from 50 ms to 200 ms. If necessary, the speed of the door must be adjusted to the response time.

Grid operating mode

Activation in the event of faults due to grating on the ground. Used where grating and shafts are present in the detection field.

Accessories

Other suitable accessories can be found at www.pepperl-fuchs.com