



Digital Output with Position Feedback LB2002AR

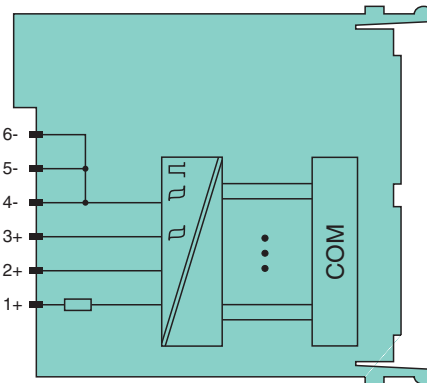
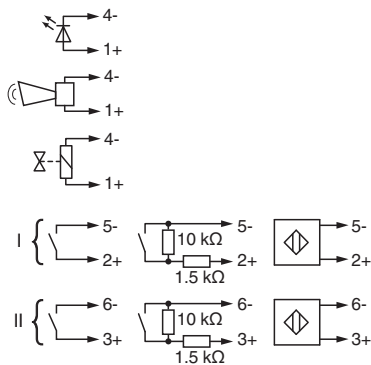
- 1 digital output, 2 digital inputs
- Output voltage 24 V, max. internal resistance 210 Ω
- Installation in Zone 2 or safe area
- Positive or negative logic selectable
- Simulation mode for service operations (forcing)
- Line fault detection (LFD)
- Permanently self-monitoring
- Output with watchdog
- Module can be exchanged under voltage



Function

The digital output features 1 output with 2 feedback inputs.
 The device can be used to switch solenoids, sounders, or indicators (without line fault detection) in the field. Furthermore, the device accepts digital input signals of NAMUR sensors or mechanical contacts from the field.
 Open and short-circuit line faults are detected.
 The inputs and the output are galvanically isolated from the bus and the power supply.

Connection



Zone 2

Technical Data

Slots	
Occupied slots	1
Supply	
Connection	backplane bus
Rated voltage	U_r 12 V DC , only in connection with the power supplies LB9***
Power dissipation	1.3 W
Power consumption	1.8 W
Internal bus	
Connection	backplane bus
Interface	manufacturer-specific bus to standard com unit
Digital input	

Release date: 2023-11-28 Date of issue: 2023-11-28 Filename: 302575_eng.pdf

Refer to "General Notes Relating to Pepperl+Fuchs Product Information".

Pepperl+Fuchs Group
www.pepperl-fuchs.com

USA: +1 330 486 0002
pa-info@us.pepperl-fuchs.com

Germany: +49 621 776 2222
pa-info@de.pepperl-fuchs.com

Singapore: +65 6779 9091
pa-info@sg.pepperl-fuchs.com

PF PEPPERL+FUCHS

Technical Data

Number of channels		2
Sensor interface		
Connection		NAMUR sensor
Connection [2]		volt-free contact
Connection		channel I: 2+, 5-; channel II: 3+, 6-
Rated values		acc. to EN 60947-5-6 (NAMUR)
Switching point/switching hysteresis		1.2 ... 2.1 mA / ± 0.2 mA
Voltage		8.2 V
Internal resistor	R_i	1 k Ω
Line fault detection		can be switched on/off for each channel via configuration tool
Connection		mechanical switch with additional resistors (see connection diagram) proximity switches without additional wiring
Short-circuit		< 360 Ω
Open-circuit		< 0.35 mA
Minimum pulse duration		1 ms
Digital output		
Number of channels		1
Suitable field devices		
Field device		Solenoid Valve
Field device [2]		audible alarm
Field device [3]		visual alarm
Connection		channel I: 1+, 4-
Internal resistor	R_i	210 Ω
Current limit	I_{max}	50 mA
Open loop voltage	U_s	24 V
Line fault detection		can be switched on/off for each channel via configuration tool , also when turned off (every 2.5 s the valve is turned on for 2 ms)
Short-circuit		< 200 Ω
Open-circuit		> 1.2 k Ω
Response time		20 ms (depending on bus cycle time)
Watchdog		within 0.5 s the device goes in safe state, e.g. after loss of communication
Indicators/settings		
LED indication		LED green: supply LED red: line fault, per channel LED yellow: signal (status), per channel
Coding		optional mechanical coding via front socket
Directive conformity		
Electromagnetic compatibility		
Directive 2014/30/EU		EN 61326-1
Conformity		
Electromagnetic compatibility		NE 21
Degree of protection		IEC 60529
Environmental test		EN 60068-2-14
Shock resistance		EN 60068-2-27
Vibration resistance		EN 60068-2-6
Damaging gas		EN 60068-2-42
Relative humidity		EN 60068-2-78
Ambient conditions		
Ambient temperature		-20 ... 60 °C (-4 ... 140 °F) , 70 °C (non-Ex)
Storage temperature		-25 ... 85 °C (-13 ... 185 °F)
Relative humidity		95 % non-condensing
Altitude		max. 2000 m
Shock resistance		shock type I, shock duration 11 ms, shock amplitude 15 g, number of shocks 18

Release date: 2023-11-28 Date of issue: 2023-11-28 Filename: 302575_eng.pdf

Refer to "General Notes Relating to Pepperl+Fuchs Product Information".

Pepperl+Fuchs Group
www.pepperl-fuchs.comUSA: +1 330 486 0002
pa-info@us.pepperl-fuchs.comGermany: +49 621 776 2222
pa-info@de.pepperl-fuchs.comSingapore: +65 6779 9091
pa-info@sg.pepperl-fuchs.com

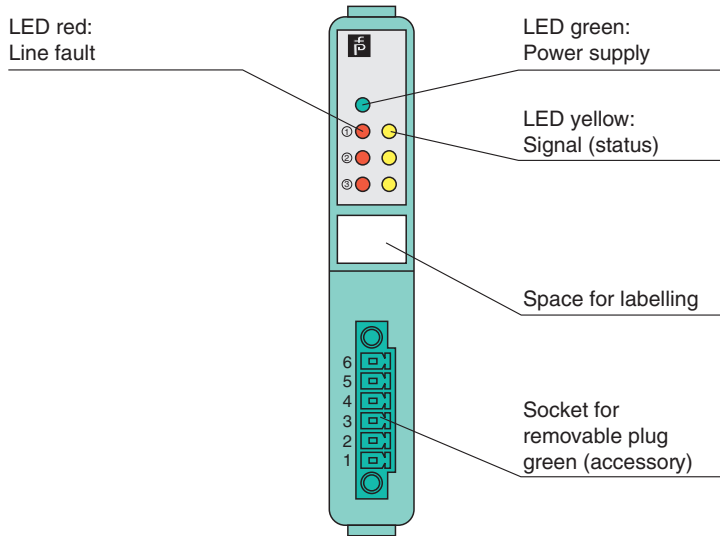
PEPPERL+FUCHS

Technical Data

Vibration resistance		frequency range 10 ... 150 Hz; transition frequency: 57.56 Hz, amplitude/acceleration ± 0.075 mm/1 g; 10 cycles frequency range 5 ... 100 Hz; transition frequency: 13.2 Hz amplitude/acceleration ± 1 mm/0.7 g; 90 minutes at each resonance
Damaging gas		designed for operation in environmental conditions acc. to ISA-S71.04-1985, severity level G3
Mechanical specifications		
Degree of protection		IP20 when mounted on backplane
Connection		removable front connector with screw flange (accessory) wiring connection via spring terminals (0.14 ... 1.5 mm ²) or screw terminals (0.08 ... 1.5 mm ²)
Mass		approx. 110 g
Dimensions		16 x 100 x 102 mm (0.63 x 3.9 x 4 inch)
Data for application in connection with hazardous areas		
Input		
Voltage	U _o	14.1 V
Current	I _o	16 mA
Power	P _o	55 mW (linear characteristic)
Internal capacitance	C _i	1.65 nF
Internal inductance	L _i	0 mH
Output		
Voltage	U _o	27.83 V
Current	I _o	183 mA
Power	P _o	1270 mW
Internal capacitance	C _i	1.65 nF
Internal inductance	L _i	0 mH
Certificate		PF 08 CERT 1234 X
Marking		Ⓜ II 3 G Ex nA [ic] IIB T4 Gc
Galvanic isolation		
Input/power supply, internal bus		safe electrical isolation acc. to EN 60079-11, voltage peak value 375 V
Output/power supply, internal bus		safe electrical isolation acc. to EN 60079-11, voltage peak value 375 V
Directive conformity		
Directive 2014/34/EU		EN IEC 60079-0:2018+AC:2020 EN 60079-11:2012 EN 60079-15:2010
International approvals		
ATEX approval		PF 08 CERT 1234 X
IECEX approval		
IECEX certificate		IECEX BVS 09.0037X
IECEX marking		Ex nA [ic] IIC T4 Gc
General information		
System information		The module has to be mounted in appropriate backplanes (LB9***) in Zone 2 or outside hazardous areas. Here, observe the corresponding declaration of conformity. For use in hazardous areas (e. g. Zone 2 or Zone 22) the module must be installed in an appropriate enclosure.
Supplementary information		EC-Type Examination Certificate, Statement of Conformity, Declaration of Conformity, Attestation of Conformity and instructions have to be observed where applicable. For information see www.pepperl-fuchs.com .

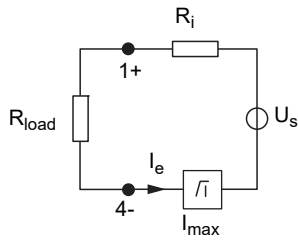
Assembly

Front view



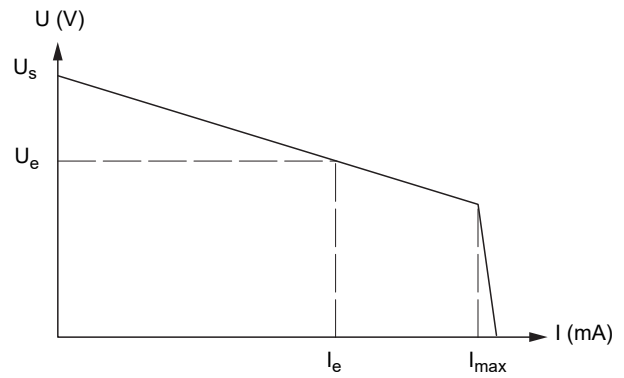
Characteristic Curve

Load calculation



R_{load} = Field loop resistance
 $U_e = U_s - R_i \times I_e$
 $I_e = U_s / (R_i + R_{load})$

Output characteristics



Release date: 2023-11-28 Date of issue: 2023-11-28 Filename: 302575_eng.pdf