



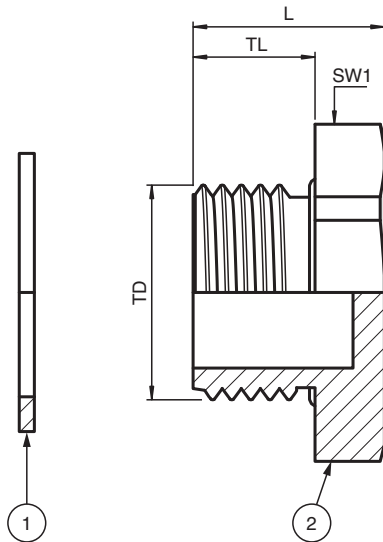
Stopping Plugs, Plastic

SP.PE.M20.PA.C.15.K50

- Stopping plug for unused cable entries
- High impact-resistant polyamide material
- Thread M20
- Hexagon head
- Ex eb and Ex tb certified
- Suitable for operation in Zone 1, Zone 2, Zone 21 and Zone 22
- Full impact resistance of 7 J according to IEC/EN 60079-0 for the full range without limitations
- Packaging unit: 50 pieces, without accessories



Dimensions



Details see data table

Legend	
1	Flat gasket
2	Stopping plug
L	Total length
SW*	Width across flats
TD	Thread size
TL	Thread length

Technical Data

Mechanical specifications	
Thread type	metric ISO pitch 1.5 mm
Thread size (TD)	M20
Degree of protection	IP66 / IP68
Material	
Finish	inherent color black
Washer gasket	flat chloroprene gasket
Stopping plug	high impact-resistant polyamide
Mass	
Individual component	approx. 6 g
Packing unit	approx. 261 g
Dimensions	
Diameter thru-hole (DT)	20 ... 20.2 mm
Width across flats (SW1)	23 mm
Thread length (TL)	15 mm
Total length (L)	21 mm
Tightening torque	
Nut torque at enclosure (SW1)	2 Nm
Ambient conditions	
Ambient temperature	-40 ... 70 °C (-40 ... 158 °F)
Data for application in connection with hazardous areas	
EU-type examination certificate	IMQ 15 ATEX 006X
Marking	⊕ II 2 GD Ex eb IIC Gb Ex tb IIIC Db
International approvals	
IECEX approval	IECEX IMQ 15.0001X
UKCA approval	CML 22 UKEX 31379X
INMETRO approval	DNV 20.0032 X
CCC approval	2021312313000455
Conformity	
Degree of protection	EN 60529
General information	
Delivery quantity	50
Scope of delivery	Stopping Plugs, Plastic Brief instructions (1 copy)
Supplementary information	EC-Type Examination Certificate, Statement of Conformity, Declaration of Conformity, Attestation of Conformity and instructions have to be observed where applicable. For information see www.pepperl-fuchs.com .

Release date: 2024-07-31 Date of issue: 2024-07-31 Filename: 303315_eng.pdf