



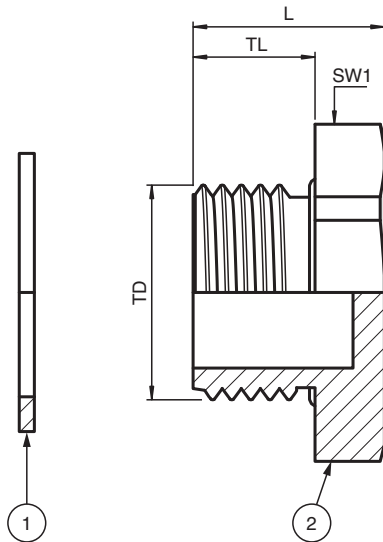
Stopping Plugs, Plastic

SP.PE.M25.PA.C.15.K25

- Stopping plug for unused cable entries
- High impact-resistant polyamide material
- Thread M25
- Hexagon head
- Ex eb and Ex tb certified
- Suitable for operation in Zone 1, Zone 2, Zone 21 and Zone 22
- Full impact resistance of 7 J according to IEC/EN 60079-0 for the full range without limitations
- Packaging unit: 25 pieces, without accessories



Dimensions



Details see data table

Legend	
1	Flat gasket
2	Stopping plug
L	Total length
SW*	Width across flats
TD	Thread size
TL	Thread length

Technical Data

Mechanical specifications	
Thread type	metric ISO pitch 1.5 mm
Thread size (TD)	M25
Degree of protection	IP66 / IP68
Material	
Finish	inherent color black
Washer gasket	flat chloroprene gasket
Stopping plug	high impact-resistant polyamide
Mass	
Individual component	approx. 7.5 g
Packing unit	approx. 175 g
Dimensions	
Diameter thru-hole (DT)	25 ... 25.2 mm
Width across flats (SW1)	28 mm
Thread length (TL)	15 mm
Total length (L)	20.8 mm
Tightening torque	
Nut torque at enclosure (SW1)	2.5 Nm
Ambient conditions	
Ambient temperature	-40 ... 70 °C (-40 ... 158 °F)
Data for application in connection with hazardous areas	
EU-type examination certificate	IMQ 15 ATEX 006X
Marking	⊕ II 2 GD Ex eb IIC Gb Ex tb IIIC Db
International approvals	
IECEX approval	IECEX IMQ 15.0001X
UKCA approval	CML 22 UKEX 31379X
INMETRO approval	DNV 20.0032 X
CCC approval	2021312313000455
Conformity	
Degree of protection	EN 60529
General information	
Delivery quantity	25
Scope of delivery	Stopping Plugs, Plastic Brief instructions (1 copy)
Supplementary information	EC-Type Examination Certificate, Statement of Conformity, Declaration of Conformity, Attestation of Conformity and instructions have to be observed where applicable. For information see www.pepperl-fuchs.com .

Release date: 2024-07-31 Date of issue: 2024-07-31 Filename: 303316_eng.pdf