

Adapter plate

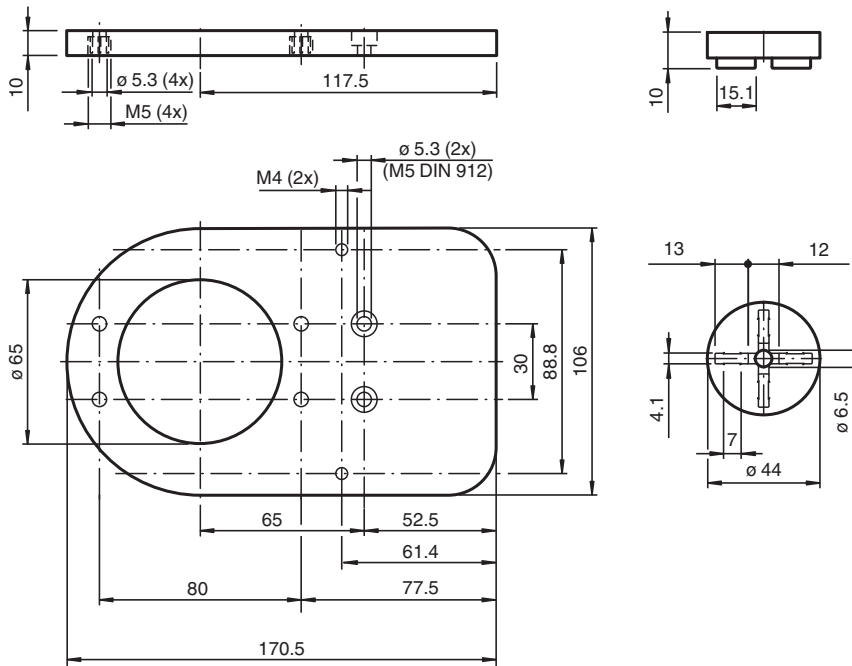
MH-F31K-02



- Adapter plate for mounting the F31/F31K on a small mounting surface with a hole pattern measuring 30 x 80 mm
- Flexible sensor mounting via thru-holes or using mounting nuts

Adapter plate

Dimensions



Technical Data

Standard conformity

Surface resistance IEC 60093

Mechanical specifications

Mounting hole pattern 30 x 80 mm and 30 x 130 mm
Inserted M5 mounting nuts can be removed

Material PA, black
electrically conductive

Surface resistance <math>< 10^9 \Omega</math>

Spacer disk PA (1 unit, 10 mm strong)

Release date: 2020-03-30 Date of issue: 2020-06-30 Filename: 303338_eng.pdf

Refer to "General Notes Relating to Pepperl+Fuchs Product Information".

Pepperl+Fuchs Group
www.pepperl-fuchs.com

USA: +1 330 486 0001
fa-info@us.pepperl-fuchs.com

Germany: +49 621 776 1111
fa-info@de.pepperl-fuchs.com

Singapore: +65 6779 9091
fa-info@sg.pepperl-fuchs.com

PF PEPPERL+FUCHS

Technical Data

Mounting screw	stainless steel socket cap head screws DIN 912 For F31: 2 x M5 x 20 For F31K: 2 x M5 x 25 For MH-F31K: 2 x M5 x 16 For BT65A with spacer: 1 x M6 x 35 for BT65-F31: 2 x M5 x 25
Mounting nut	4 x M5