

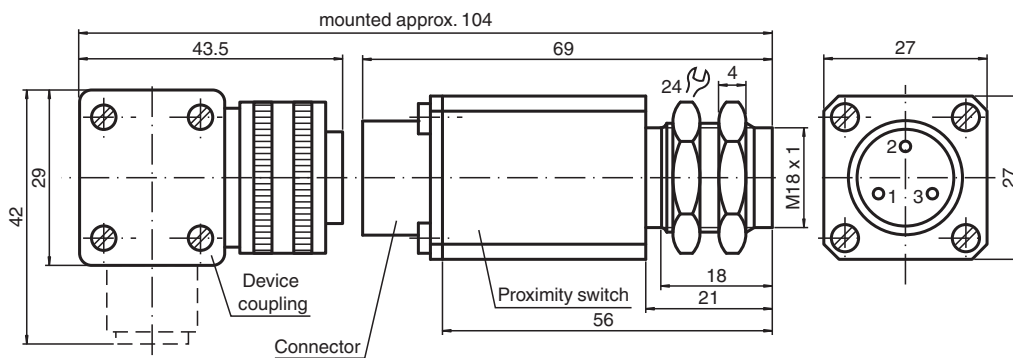
## Inductive sensor

### NJ2-N-H42

- Comfort series
- 2 mm flush
- Compression proof up to 350 bar, dynamic on active surface



## Dimensions



## Technical Data

General specifications		
Switching function		Normally closed (NC)
Output type		NAMUR
Rated operating distance	$s_n$	1.5 mm
Installation		flush
Assured operating distance	$s_a$	0 ... 1.22 mm
Reduction factor $r_{AI}$		0
Reduction factor $r_{Cu}$		0
Reduction factor $r_{304}$		0.55
Output type		2-wire
Nominal ratings		
Nominal voltage	$U_o$	8 V
Switching frequency	$f$	0 ... 400 Hz
Hysteresis	$H$	typ. 5 %
Current consumption		
Measuring plate not detected		min. 3 mA
Measuring plate detected		≤ 1 mA

Release date: 2024-05-27 Date of issue: 2024-05-31 Filename: 304837\_eng.pdf

Refer to "General Notes Relating to Pepperl+Fuchs Product Information".

Pepperl+Fuchs Group  
www.pepperl-fuchs.com

USA: +1 330 486 0001  
fa-info@us.pepperl-fuchs.com

Germany: +49 621 776 1111  
fa-info@de.pepperl-fuchs.com

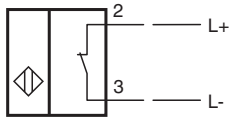
Singapore: +65 6779 9091  
fa-info@sg.pepperl-fuchs.com

PEPPERL+FUCHS

## Technical Data

Compliance with standards and directives		
Standard conformity		
NAMUR		EN 60947-5-6:2000 IEC 60947-5-6:1999
Standards		EN IEC 60947-5-2
Approvals and certificates		
UL approval		cULus Listed, General Purpose
CSA approval		cCSAus Listed, General Purpose
CCC approval		CCC approval / marking not required for products rated ≤36 V
Ambient conditions		
Ambient temperature		-25 ... 100 °C (-13 ... 212 °F)
Mechanical specifications		
Connection type		connector, ZH 630 603 00 Socket, ZH 632 603 00
Housing material		Stainless steel 1.4305 / AISI 303
Sensing face		Ceramic
Degree of protection		IP50
Mass		167 g
Dimensions		
Length		50 mm
Diameter		18 mm

## Connection



Release date: 2024-05-27 Date of issue: 2024-05-31 Filename: 304837\_eng.pdf

Refer to "General Notes Relating to Pepperl+Fuchs Product Information".

Pepperl+Fuchs Group  
www.pepperl-fuchs.com

USA: +1 330 486 0001  
fa-info@us.pepperl-fuchs.com

Germany: +49 621 776 1111  
fa-info@de.pepperl-fuchs.com

Singapore: +65 6779 9091  
fa-info@sg.pepperl-fuchs.com