



**Model Number**

**IUT-HH43-FR2-02**

UHF handheld, USA

**Features**

- Suitable for all IUC read/write tags according to EPC Gen2 (ISO/IEC 18000-63)
- Robust design, suitable for indoor and outdoor use
- Simple handling via large touch display
- 3.5" touch screen, color
- Keypad for entry of alphanumeric characters
- Wide variety of helpful functions already available in the standard software
- Can be directly connected to the control panel or computer
- Option to create application-specific software

**Matching system components**

**IUZ-HH41/43-CHARGER-EU**

Charger for IUT-HH41\* and IUT-HH43\*

**IUZ-HH41/43-CHARGER-US**

Charger for IUT-HH41\* and IUT-HH43\*

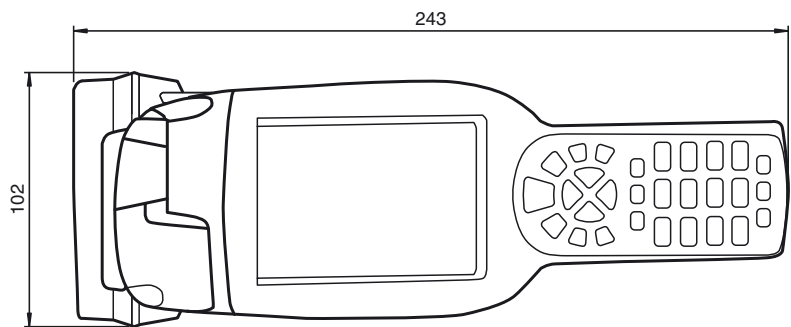
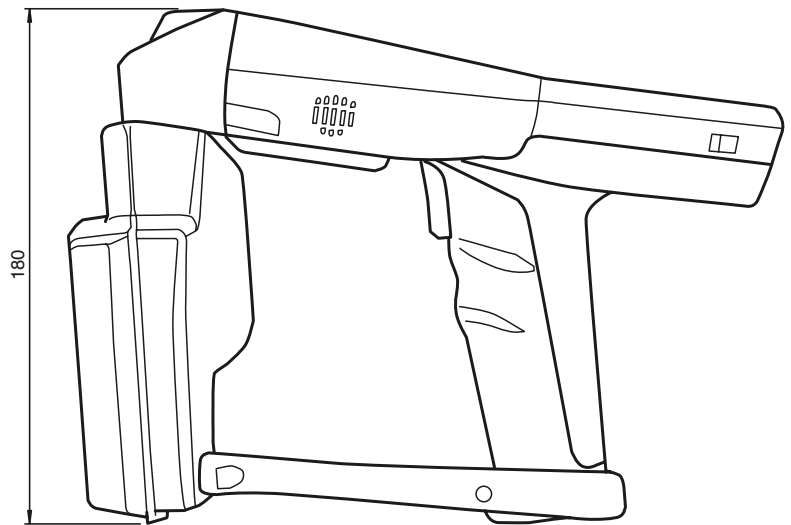
**IUZ-HH41/43-CHARGER-CN**

Charger for IUT-HH41\* and IUT-HH43\*

**IUZ-HH41/43-BAT**

Lithium-ion battery for IUT-HH41-\* and IUT-HH43-\*

**Dimensions**



**Technical data**

**General specifications**

Description	Handheld with integrated UHF read/write head, 2-D imager, touch screen, WLAN, Bluetooth, Windows Embedded CE 6.0
Operating frequency	902 MHz ... 928 MHz: USA Transmission licenses for other countries on request
Emitted power	6 ... 2000 mW ERP adjustable

**Nominal ratings**

Processor	ARM11
Clock pulse frequency	532 MHz
Memory	256 MB DDR RAM 288 MB Flash (256 MB available for use) Micro SD slot (SDHC compatible)

**Indicators/operating means**

Display	3.5" QVGA touch screen Resolution 240 x 320 pixels
Keyboard	Keypad for entering alphanumeric characters
Key	Programmable function keys

**Electrical specifications**

Battery type	Lithium-ion battery: 7.4 V; 5200 mAh
Supply	via charger or from inserted Li-ion battery

**Interface**

Interface type	Physical: 10/100 Ethernet and full-speed USB 2.0 via charger Radio connection: WLAN IEEE 802.11 a/b/g/n, Bluetooth 2.0 + EDR
----------------	---

**Directive conformity**

Radio and telecommunication terminal equipment	
Directive 2014/53/EU	EN 301489-1:2011 V1.9.2, EN 301489-3:2013 V1.6.1, EN 300330-2:2015 V1.6.1, EN 60950-1:2006

**Standard conformity**

Electromagnetic compatibility	EN 61000-6-2:2005, EN 61000-6-4:2006
Degree of protection	EN 60529
RFID	ISO/IEC 18000-63:2015

**Ambient conditions**

Release date: 2018-10-18 15:16 Date of issue: 2018-10-24 305883\_eng.xml

Refer to "General Notes Relating to Pepperl+Fuchs Product Information".

Pepperl+Fuchs Group  
www.pepperl-fuchs.com

USA: +1 330 486 0001  
fa-info@us.pepperl-fuchs.com

Germany: +49 621 776 4411  
fa-info@de.pepperl-fuchs.com

Singapore: +65 6779 9091  
fa-info@sg.pepperl-fuchs.com

Ambient temperature	-20 ... 45 °C (-4 ... 113 °F)
Storage temperature	-20 ... 60 °C (-4 ... 140 °F)
Charging temperature	0 ... 45 °C (32 ... 113 °F)
<b>Mechanical specifications</b>	
Degree of protection	IP54
Material	
Housing	plastic
Mass	approx. 750 g
Dimensions	250 mm x 105 mm x 175 mm
Note	Li-ion battery included in scope of delivery The charger is not included in the scope of delivery
<b>Approvals and certificates</b>	
FCC approval	This device complies with part 15 of the FCC rules. Operation is subject to the following two conditions: (1) This device may not cause harmful interference, and (2) This device must accept any interference received, including interference that may cause undesired operation. <b>Caution:</b> Changes or modifications not expressly approved by the party responsible for compliance could void the user's authority to operate the equipment.
Radio approval	USA: FCC SCC8052A

## Notes

This product is a wireless device and may be operated only in the country for which a transmission license exists. Information regarding transmission licenses can be found on the datasheet for the product. If a product is released to a customer in a country for which there is no transmission license, the product may be operated only in the country for which a transmission license exists.

If a product does not correspond to the legal requirements in force in the EU but is released to a purchaser within the EU, the product is intended for use solely in the destination country of the end customer outside of the EU for which a transmission license exists. The product may therefore under no circumstances be used directly by the purchaser or released to third parties for the purpose of distribution, application or use on the market within the EU as part of a commercial activity.

In the event of an infringement, the purchaser is obliged to indemnify the supplier against any resulting damages, costs, penalty payments and other expenses.