

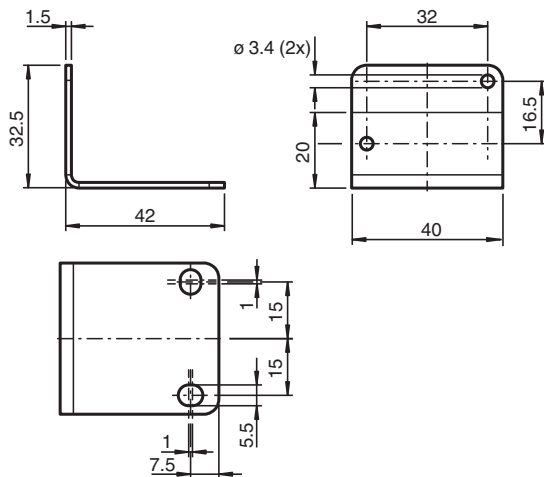
# Mounting plate

## MH-F64-02

- Simple and fast mounting

Mounting base for F64 series

### Dimensions



### Technical Data

#### Mechanical specifications

Material	stainless steel AISI 304L
Mass	31 g
Dimensions	
Height	32.5 mm
Width	40 mm
Depth	42 mm
Mounting	2 screws M3 x 8

#### General information

Packing unit	1 item(s)
--------------	-----------

Release date: 2023-11-16 Date of issue: 2023-11-20 Filename: 306351\_eng.pdf

Refer to "General Notes Relating to Pepperl+Fuchs Product Information".

Pepperl+Fuchs Group  
www.pepperl-fuchs.com

USA: +1 330 486 0001  
fa-info@us.pepperl-fuchs.com

Germany: +49 621 776 1111  
fa-info@de.pepperl-fuchs.com

Singapore: +65 6779 9091  
fa-info@sg.pepperl-fuchs.com

**PF** PEPPERL+FUCHS