

# Cable gland

## CP-CGL-SLT-5/16-M20 5pcs

- Suitable for 5/16" flexible coated conduit

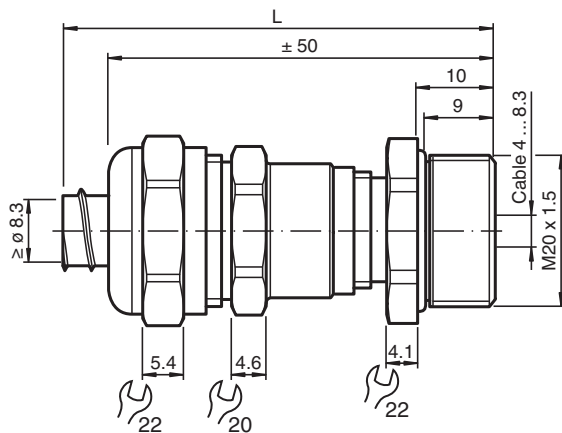


Cable gland M20 for cable diameter 4 ... 8.3 mm and 5/16" flexible coated conduit

### Function

The cable gland is used in conjunction with a suitable flexible conduit and a suitable sensor adapter to form a cable protection system for sensors. The purpose of this system is to protect the sensor wiring in harsh environments.

### Dimensions



### Technical Data

#### Mechanical specifications

Clamping range (D)	
Seal insert	outer seal: for cable diameter 6 ... 8.3 mm outer seal + inner seal: for cable diameter 4 ... 6 mm
Thread type	metric
Thread size	M20 x 1.5
Degree of protection	IP65
Material	
Cable gland	brass, nickel-plated
Seal	Seal two-piece , synthetic rubber EDPM V0
Clamping ring	PVC
O-Ring	NBR

Release date: 2020-06-30 Date of issue: 2020-06-30 Filename: 307509\_eng.pdf

Refer to "General Notes Relating to Pepperl+Fuchs Product Information".

Pepperl+Fuchs Group  
www.pepperl-fuchs.com

USA: +1 330 486 0001  
fa-info@us.pepperl-fuchs.com

Germany: +49 621 776 1111  
fa-info@de.pepperl-fuchs.com





Singapore: +65 6779 9091  
fa-info@sg.pepperl-fuchs.com

PEPPERL+FUCHS

## Technical Data

Mass	66 g
<b>General information</b>	
Supplementary information	observe mounting instructions

## Matching system components

	<b>CP-CDT-SLT-5/16-10M</b>	5/16" flexible coated conduit 10 m
	<b>CP-ADP-SLT-5/16-M18</b> 5pcs	Sensor adapter for M18 sensors and 5/6" flexible coated conduit
	<b>CP-ADP-SLT-5/16-M30</b> 5pcs	Sensor adapter for M30 sensors and 5/6" flexible coated conduit
	<b>LOCKNUT M20 NICKEL BRASS</b>	Nut, nickel-plated brass