

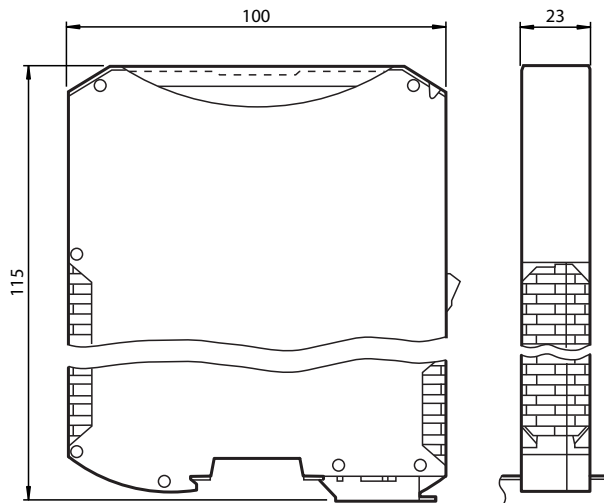
## Interface module VLX-F231-B17

- Up to 4 sensors can be connected
- DIN rail mounting
- Ethernet interface with PROFINET
- Integrated switch

Interface module with PROFINET interface for SmartRunner



### Dimensions



### Technical Data

#### General specifications

Installation DIN rail mounting

#### Functional safety related parameters

MTTF<sub>d</sub> 180 a

Mission Time (T<sub>M</sub>) 10 a

Diagnostic Coverage (DC) 0 %

#### Electrical specifications

Operating voltage U<sub>B</sub> 10 ... 30 V DC

Power consumption P<sub>0</sub> ≤ 3.6 W (without read heads)

#### Interface 1

## Technical Data

Connection of	control system
Interface type	Ethernet; 100 BASE-TX
Protocol	PROFINET IO
Transfer rate	100 MBit/s
Data output format	binary code
<b>Interface 2</b>	
Connection of	control system
Interface type	Ethernet; 100 BASE-TX
Protocol	PROFINET IO
Transfer rate	100 MBit/s
Data output format	binary code
<b>Interface 3</b>	
Connection of	sensor
Interface type	RS485
Protocol	half duplex
Transfer rate	230 kBit/s
RS485 termination resistor	switchable
Refresh cycle of read head	1 ms
<b>Standard conformity</b>	
Emitted interference	EN 55011, cl. A: 2007
Noise immunity	EN 61000-6-2:2005
<b>Approvals and certificates</b>	
CCC approval	CCC approval / marking not required for products rated ≤36 V
<b>Ambient conditions</b>	
Operating temperature	-25 ... 85 °C (-13 ... 185 °F) , no moisture condensation
Storage temperature	-40 ... 85 °C (-40 ... 185 °F)
Relative humidity	≤ 80 %
<b>Mechanical specifications</b>	
Connection type	Interface 1 & 2: RJ-45 socket, 8-pin Interface 3: terminal connection ≤ 2.5 mm <sup>2</sup> Interface 4: Terminal connection, 2-pin
Degree of protection	IP20
Material	plastic
Installation position	any position
Mass	approx. 150 g
<b>Dimensions</b>	
Height	111 mm (incl. plug-in screw connector)
Width	23 mm
Depth	115 mm

Release date: 2024-01-03 Date of issue: 2024-01-03 Filename: 310754\_eng.pdf

Refer to "General Notes Relating to Pepperl+Fuchs Product Information".

Pepperl+Fuchs Group  
www.pepperl-fuchs.com

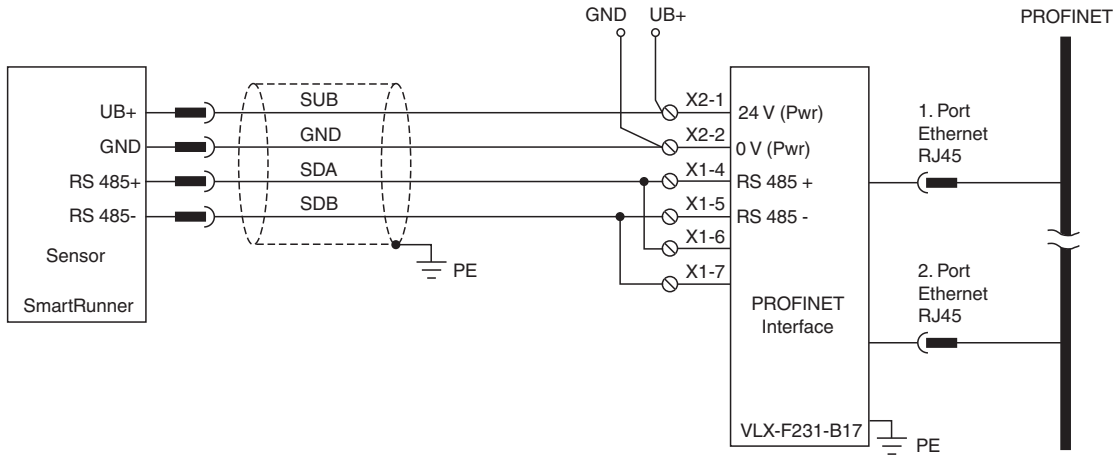
USA: +1 330 486 0001  
fa-info@us.pepperl-fuchs.com

Germany: +49 621 776 1111  
fa-info@de.pepperl-fuchs.com

Singapore: +65 6779 9091  
fa-info@sg.pepperl-fuchs.com

 **PEPPERL+FUCHS**

Connection



Release date: 2024-01-03 Date of issue: 2024-01-03 Filename: 310754\_eng.pdf

Refer to "General Notes Relating to Pepperl+Fuchs Product Information".