

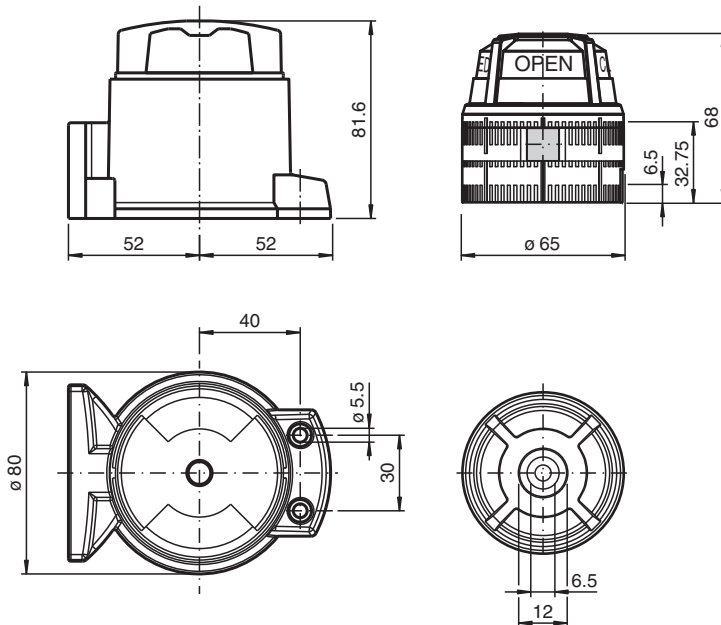
# Activator

## BT65-F31-BY-EN

- High-visibility valve position display
- Protection against contamination and damage
- Captive screws for easy mounting
- Two actuation targets in two levels with 5° setting grid
- Suitable for right and left rotating drives

Activator for F31 and F31K series including protective housing

### Dimensions



### Technical Data

#### General specifications

|                    |            |
|--------------------|------------|
| Ring diameter      | max. 65 mm |
| Spring ring height | max. 6 mm  |

#### Nominal ratings

|                        |                                 |
|------------------------|---------------------------------|
| Valve status indicator | black = CLOSED<br>yellow = OPEN |
|------------------------|---------------------------------|

#### Compliance with standards and directives

|                     |                |
|---------------------|----------------|
| Standard conformity |                |
| Standards           | VDI / VDE 3845 |

#### Ambient conditions

|                     |                                |
|---------------------|--------------------------------|
| Ambient temperature | -25 ... 70 °C (-13 ... 158 °F) |
|---------------------|--------------------------------|

#### Mechanical specifications

|                |         |
|----------------|---------|
| Shaft diameter | ≤ 49 mm |
|----------------|---------|

Release date: 2020-03-31 Date of issue: 2020-06-30 Filename: 311213\_eng.pdf

Refer to "General Notes Relating to Pepperl+Fuchs Product Information".

Pepperl+Fuchs Group  
www.pepperl-fuchs.com

USA: +1 330 486 0001  
fa-info@us.pepperl-fuchs.com

Germany: +49 621 776 1111  
fa-info@de.pepperl-fuchs.com

Singapore: +65 6779 9091  
fa-info@sg.pepperl-fuchs.com

 PEPPERL+FUCHS

## Technical Data

|                            |  |
|----------------------------|--|
| Shaft height               | 20 mm and 30 mm  |
| Mounting hole pattern      | 30 x 80 mm   |
| Material                   |  |
| Housing                    | PC   |
| Actuator                   | PA   |
| Spacer disk                | PA (1 unit, 10 mm strong)  |
| Mounting screw             | Stainless steel 1.4401 / AISI 316  |
| Activation target          | Stainless steel 1.4305 / AISI 303 (integrated)   |
| <b>General information</b> |  |
| Scope of delivery          | <ul style="list-style-type: none"> <li>1 screw M6 x 30</li> <li>1 screw M6 x 40</li> <li>2 screws M5 x 12</li> <li>1 Activator for F31K2 series</li> <li>1 Distance disc</li> <li>1 Protective cover</li> <li>2 captive Fixing screws M5 x 16</li> </ul> |