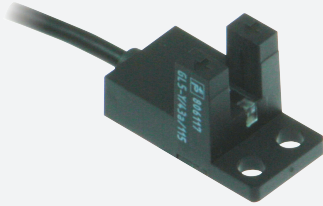


Photoelectric slot sensor

GL5-Y/43a/115-5M



- Miniature design
- Optimized for the detection of small parts
- High switching frequency
- Simple and fast mounting
- Clearly visible LED functional display

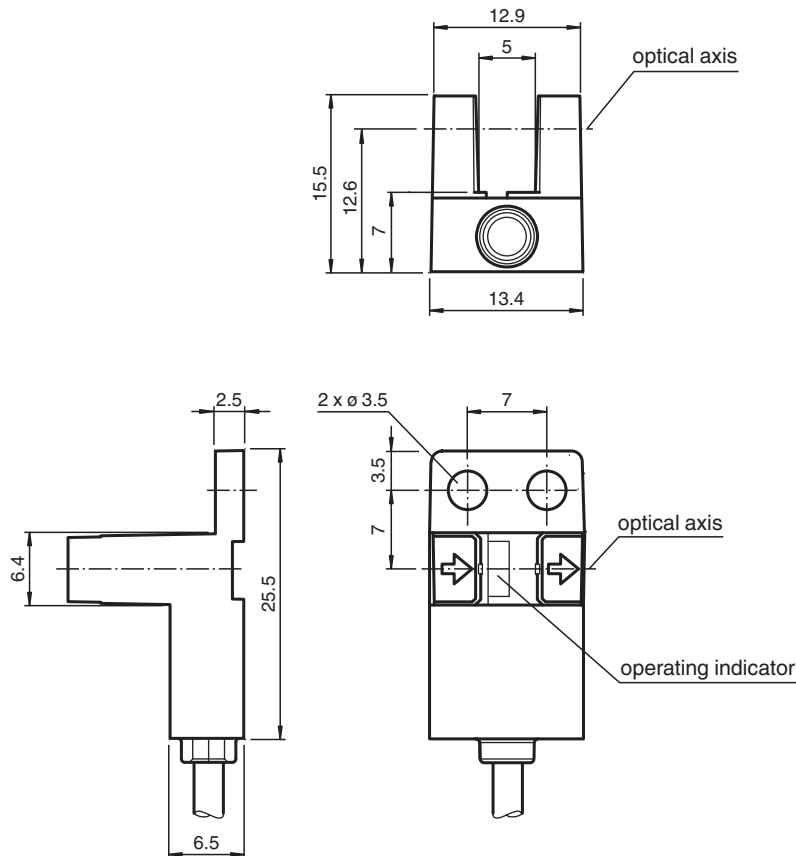
Miniature photoelectric slot sensor for the detection of small parts, Y design, fork width 5 mm, infrared light, PNP outputs, fixed cable



Function

The GL5 miniature slot sensor compares a high optical performance in a small housing and is optimized to the requirements in semiconductors industry for small part detection. A wide voltage range of 5 - 24 V DC and the fastest switching frequency of 5 kHz in its class stands for the quality of this sensor. The integrated aperture allows the small part detection with a minimum object size of 0.8 x 1.8 mm. The sensor offers antivalent npn or pnp outputs. Due to a variety of different housings and an optimized housing concept offers the sensor a maximum of freedom in a crowded mounting environment.

Dimensions



Release date: 2023-03-28 Date of issue: 2023-03-28 Filename: 311661_eng.pdf

Refer to "General Notes Relating to Pepperl+Fuchs Product Information".

Pepperl+Fuchs Group
www.pepperl-fuchs.com

USA: +1 330 486 0001
fa-info@us.pepperl-fuchs.com

Germany: +49 621 776 1111
fa-info@de.pepperl-fuchs.com

Singapore: +65 6779 9091
fa-info@sg.pepperl-fuchs.com

PEPPERL+FUCHS

Technical Data

General specifications			
Light source		IRED	
Light type		Infrared, continuous light , 940 nm	
Target size		0.8 x 1.8 mm	
Slot width		5 mm	
Slot depth		8.5 mm	
Ambient light limit		1000 Lux	
Functional safety related parameters			
MTTF _d		3760 a	
Mission Time (T _M)		20 a	
Diagnostic Coverage (DC)		0 %	
Indicators/operating means			
Function indicator		red LED lights up when receiving the light beam	
Electrical specifications			
Operating voltage	U _B	5 ... 24 V DC , class 2	
No-load supply current	I ₀	max. 20 mA	
Time delay before availability	t _v	< 2 ms	
Output			
Switching type		light/dark on	
Signal output		2 PNP complementary , overvoltage protected	
Switching voltage		max. 30 V DC	
Switching current		max. 50 mA , resistive load	
Voltage drop	U _d	max. 0.2 V at 10 mA max. 0.6 V at 50 mA	
Switching frequency	f	max. 5 kHz	
Response time		40 μs Light beam is not interrupted 80 μs Light beam is interrupted	
Repeat accuracy	R	0.03 mm	
Compliance with standards and directives			
Directive conformity			
EMC Directive 2004/108/EC		EN 60947-5-2:2007+A1:2012	
Standard conformity			
Standards		UL 60947-5-2	
Approvals and certificates			
UL approval		cULus Recognized, Class 2 Power Source	
CCC approval		CCC approval / marking not required for products rated ≤36 V	
Ambient conditions			
Ambient temperature		-25 ... 55 °C (-13 ... 131 °F)	
Storage temperature		-30 ... 80 °C (-22 ... 176 °F)	
Pollution degree		2	
Mechanical specifications			
Housing width		25.5 mm	
Housing height		13.4 mm	
Degree of protection		IP50	
Connection		5 m fixed cable	
Material			
Housing		PBT	
Mass		25 g	
Tightening torque, fastening screws		0.6 Nm	
Cable length		5 m	

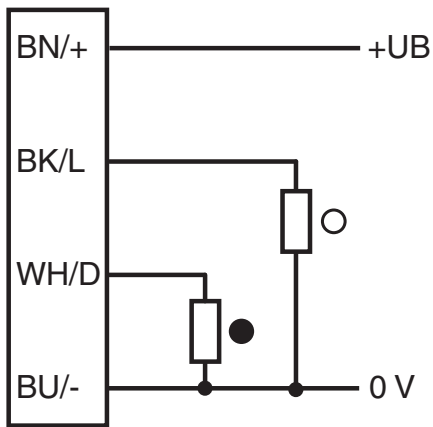
Release date: 2023-03-28 Date of issue: 2023-03-28 Filename: 311661_eng.pdf

Refer to "General Notes Relating to Pepperl+Fuchs Product Information".

Pepperl+Fuchs Group
www.pepperl-fuchs.comUSA: +1 330 486 0001
fa-info@us.pepperl-fuchs.comGermany: +49 621 776 1111
fa-info@de.pepperl-fuchs.comSingapore: +65 6779 9091
fa-info@sg.pepperl-fuchs.com

PEPPERL+FUCHS

Connection Assignment



- = Light on
- = Dark on

Release date: 2023-03-28 Date of issue: 2023-03-28 Filename: 311661_eng.pdf

Refer to "General Notes Relating to Pepperl+Fuchs Product Information".

Pepperl+Fuchs Group
www.pepperl-fuchs.com

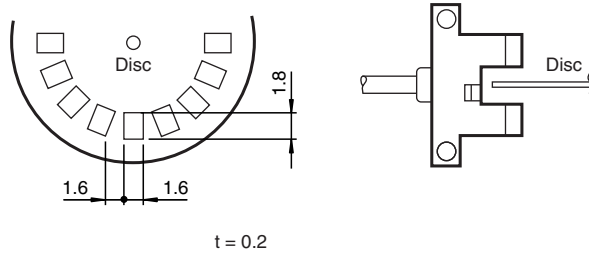
USA: +1 330 486 0001
fa-info@us.pepperl-fuchs.com

Germany: +49 621 776 1111
fa-info@de.pepperl-fuchs.com

Singapore: +65 6779 9091
fa-info@sg.pepperl-fuchs.com

Response frequency

The response frequency is the value when the disc, given in the figure below, is rotated.



Applications

The GL5 is suited for applications in the semiconductor and electronic industrial environment.

Typical applications include:

1. Detection of lead frames
2. Detection of cam positions
3. Detection of limit positions of moving objects
4. Position detection of wafer cases