



RFID read/write device hazardous area

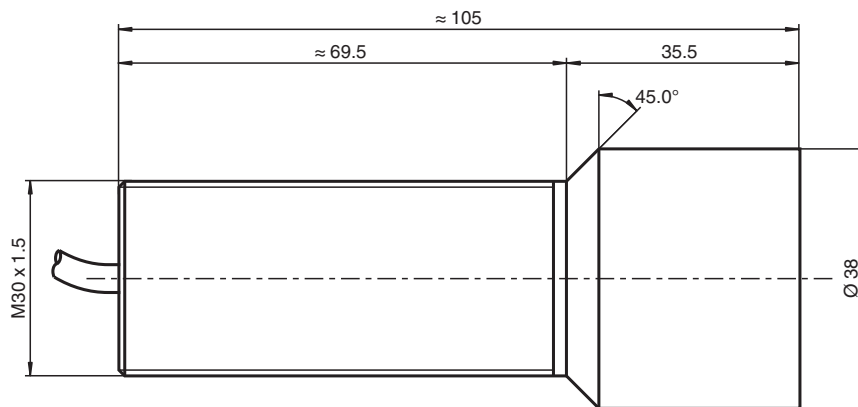
IPH-30GM-Ex

- Read/write head with thread M30 x 1.5
- ATEX-approval for zone 1 and zone 21
- Degree of protection IP68
- 15 m connection cable
- For connection to IDENTControl control interface
- Encapsulation Ex m

LF RFID read/write device for IDENTControl, for hazardous areas



Dimensions



Technical Data

General specifications

Operating frequency	125 kHz
Transfer rate	2 kBit/s
MTBF	350 a (Operation at +40 °C)

Electrical specifications

Power consumption	P_0	≤ 1.2 W
Supply	from the IDENTControl	

Directive conformity

Radio equipment	
Directive 2014/53/EU	EN 301489-1 EN 301489-3 EN 300330 EN 62368-1 EN 50364

RoHS	
Directive 2011/65/EU (RoHS)	IEC/EN 63000

Standard conformity

Explosion protection	EN IEC 60079-0 EN 60079-18/A1
Degree of protection	EN 60529
RFID	ISO/IEC 18000-2

Release date: 2024-01-03 Date of issue: 2024-01-03 Filename: 312969_eng.pdf

Refer to "General Notes Relating to Pepperl+Fuchs Product Information".

Pepperl+Fuchs Group
www.pepperl-fuchs.com

USA: +1 330 486 0001
fa-info@us.pepperl-fuchs.com

Germany: +49 621 776 1111
fa-info@de.pepperl-fuchs.com

Singapore: +65 6779 9091
fa-info@sg.pepperl-fuchs.com

PF PEPPERL+FUCHS

Technical Data

Approvals and certificates		
ATEX approval		
Marking		Ⓜ II 2G Ex mb IIC T4 Gb Ⓜ II 2D Ex mb IIIC T130°C Db
Equipment protection level Gb		IBExU 21ATEX1039 X
Equipment protection level Db		IBExU 21ATEX1039 X
Ambient conditions		
Ambient temperature		-20 ... 70 °C (-4 ... 158 °F)
Storage temperature		-40 ... 85 °C (-40 ... 185 °F)
Mechanical specifications		
Degree of protection		IP68
Connection		15 m connecting cable included with delivery Connection e.g. with terminal boxes Series GL5
Material		
Housing		Stainless steel 1.4305 / AISI 303
Installation		
Distance between two heads		Multiplex on: ≥ 155 mm Multiplex off: ≥ 350 mm
Mass		approx. 2000 g
Dimensions		
Length		105 mm ± 1 mm
Diameter		38 mm
General information		
Use in the hazardous area		see instruction manuals

Connection

