



Stand-alone connecting module

VAZ-2E2A-G20-ZPA1

- Inputs for 3-wire sensors
- Outputs for DC roller motors (drum motors)
- Interface for coupling with adjacent zones
- Connection of motors and sensors via M8 connectors
- Operating mode, motor speed and start/stop ramp can be configured using the rotary switch
- Supply of 24 V_{DC}, connection via insulation piercing technology with gold-plated contact pins
- Function indicator for power supply, inputs and outputs, and zone coupling

G20 motor control module with an integrated logic function for Interroll EC310, Interroll EC5000 24V AI, Rulmeca BL3, Itoh Denki PM500XK, Itoh Denki PM500XC



Function

The motor control module is a field module with two sensor inputs and two electronic outputs for controlling DC roller motors. The module is optimized for use with the Interroll EC310 and Rulmeca BL3. The module can control two consecutive zones of an accumulating conveyor section. A zone consists of a roller motor and a zone sensor, e.g., for a light barrier. Both zone controllers are logically coupled within the module. The second zone controller within the module can be deactivated.

Two interfaces are available for coupling with the neighboring zones of the conveyor belt. The interfaces each provide a signal input and a signal output. The interfaces can be connected directly to 24 V-compatible SPS-IOs.

The compact housing can be installed directly into support profiles or cable ducts. The U_{AUX} power supply is connected using insulation piercing technology via a black AS-Interface flat cable. The swiveling flat cable guide is locked using a snap-fit without the use of tools.

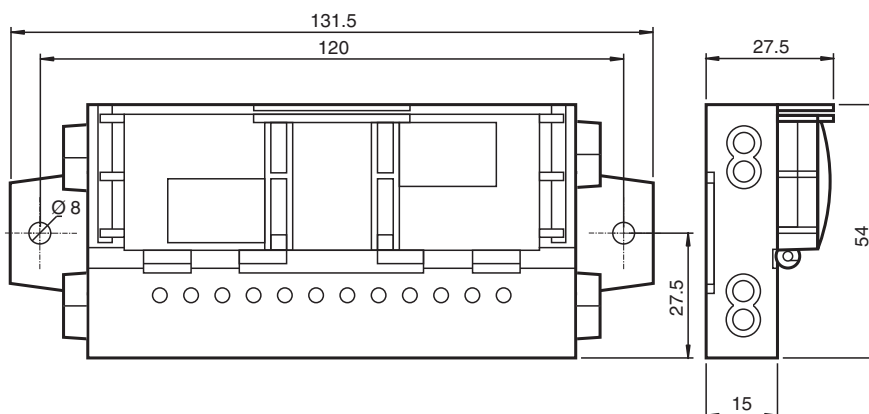
The sensor inputs and motor outputs are connected using cable outputs with M8 round plug connectors. Cable outputs with 4-pin M12 round plug connectors are provided for zone coupling.

Power is supplied to the inputs and motors by the U_{AUX} supply.

The IN LEDs display the current switching status of the sensor inputs. The MOT LEDs indicate the operating status of the motors. The ERR LEDs display when the noise is set using a motor and a defective fuse from the motor supply. The XIN and XOUT LEDs indicate the status of the zone coupling signals.

The module is configured using three rotary switches on the back of the module. Ten predefined motor speeds are available. For both zones, the direction of rotation and the direction of transportation can be adjusted. There is a choice of five predefined start/stop ramps. The operating mode of the module can be adjusted. A detailed description of the individual operating modes can be found in the manual for this module.

Dimensions



Technical Data

General specifications

UL File Number

E223772 "For use in NFPA 79 Applications only"

Release date: 2021-02-15 Date of issue: 2021-02-15 Filename: 316971_eng.pdf

Refer to "General Notes Relating to Pepperl+Fuchs Product Information".

Pepperl+Fuchs Group
www.pepperl-fuchs.com

USA: +1 330 486 0001
fa-info@us.pepperl-fuchs.com

Germany: +49 621 776 1111
fa-info@de.pepperl-fuchs.com

Singapore: +65 6779 9091
fa-info@sg.pepperl-fuchs.com

PEPPERL+FUCHS

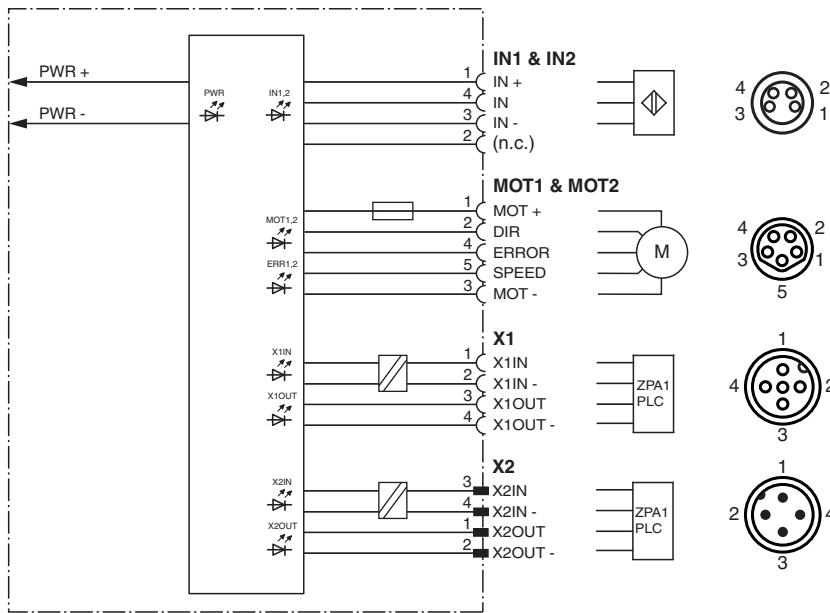
Technical Data

Compatible roller motors		Interroll EC310, Interroll EC5000 24V AI (20W / 35W / 50W), Rulmeca BL3, Itoh Denki PM500XK, Itoh Denki PM500XC
Indicators/operating means		
Switch		S1: motor speed; rotary switch, 10 positions S2: direction of rotation and start/stop ramp; rotary switch, 10 positions S3: operating mode, rotary switch, 10 positions
LED ERR		Motor fault; 2 yellow LEDs yellow: motor error flashing yellow: motor protection unit defective
LED PWR		Supply voltage U_{PWR} ; green LED
LED IN		switching state (input); 2 LED yellow
LED MOT		Motor active; 2 yellow LEDs
LED XIN		Zone coupling input active; 2 yellow LEDs
LED XOUT		Zone coupling output active; 2 yellow LEDs
Electrical specifications		
Rated operating voltage	U_e	18 V ... 30 V DC PELV (via U_{PWR})
Rated operating current	I_e	≤ 30 mA (Closed-circuit current) max. 10 A (<2 s)
Surge protection		U_{PWR} : overvoltage category II, securely isolated power supply (PELV)
Interface 1		
Interface type		Interface for coupling zones with one input and one output for control signals X1
Physical		4-pin M12 socket Electronic output: PNP, overload and short-circuit proof (X1OUT) Input: PNP, galvanically isolated, potential-free (X1IN)
Load current		Input: ≤ 8 mA (internally limited) Output: 10 mA
Voltage		Input: max. 30 V DC Output (via U_{PWR}): $\geq (U_{PWR} - 2$ V)
Switching point		in accordance with DIN EN 61131-2 (type 1) 0 (undamped): ≤ 0.5 mA 1 (damped): ≥ 2 mA
Interface 2		
Interface type		Interface for coupling zones with one input and one output for control signals X2
Physical		M12 connector, 4-pin Electronic output: PNP, overload and short-circuit proof (X2OUT) Input: PNP, galvanically isolated, potential-free (X2IN)
Load current		Input: ≤ 8 mA (internally limited) Output: 10 mA
Voltage		Input: max. 30 V DC Output (via U_{PWR}): $\geq (U_{PWR} - 2$ V)
Switching point		in accordance with DIN EN 61131-2 (type 1) 0 (undamped): ≤ 0.5 mA 1 (damped): ≥ 2 mA
Input		
Number/Type		2 Inputs for 3-wire sensors (PNP), DC
Supply		via U_{PWR}
Current loading capacity		500 mA , overload and short-circuit protected
Input current		≤ 8 mA (limited internally)
Switching point		according to DIN EN 61131-2 0 (undamped) ≤ 0.5 mA 1 (damped) ≥ 2.0 mA
Input filter		10 ms
Output		
Number/Type		2 outputs for DC roller motors (MOT1, MOT2)
Supply		via U_{PWR}
Current		3.5 A continuous current , 5 A (<2 s) , max. 7.5 A (<0,3 s) per motor
Overload protection		fuse , $I^2t = 53.7$ A ² s
Velocity signal	U_s	1.4 ... 13 V at no-load $R_i = 5.6$ k Ω , $R_{LOAD} \geq 35$ k Ω Control using rotary switch S1

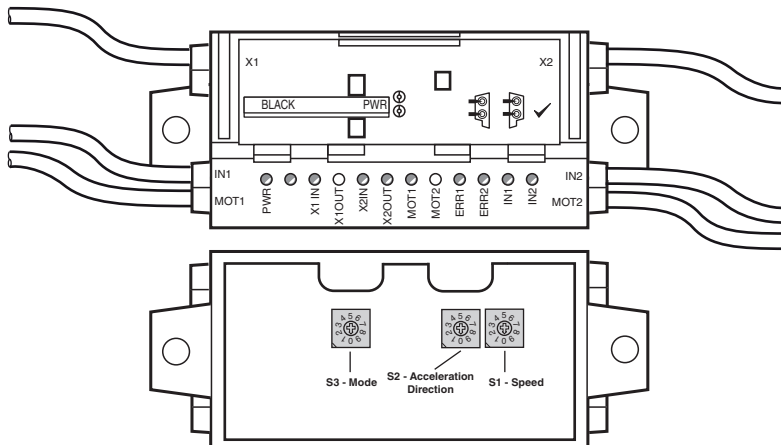
Technical Data

Rotation direction signal	U_D	low: high impedance high; $\geq (U_{PWR} - 1.0 \text{ V})$ in no-load operation $R_i = 5.6 \text{ k}\Omega$, $R_{LOAD} \geq 5 \text{ k}\Omega$ Control using rotary switch S2
Motor fault		NPN digital input, $U_0 = 14 \text{ V}$, $R_i = 34 \text{ k}\Omega$ 0 (no error) $\geq 125 \mu\text{A}$ 1 (error) $\leq 25 \mu\text{A}$
Directive conformity		
Electromagnetic compatibility		
Directive 2014/30/EU		EN 61326-1:2006
Standard conformity		
Degree of protection		EN 60529:2000
Input		EN 61131-2:2007
Emitted interference		EN 61000-6-4:2007
Noise immunity		EN 61000-6-2:2005 , EN 61326-1:2006
Ambient conditions		
Ambient temperature		-30 ... 60 °C (-22 ... 140 °F)
Storage temperature		-30 ... 85 °C (-22 ... 185 °F)
Relative humidity		85 % non-condensing
Climatic conditions		For indoor use only
Altitude		$\leq 2000 \text{ m}$ above MSL
Shock and impact resistance		30 g, 11 ms in 6 spatial directions, 3 shocks 10 g, 16 ms in 6 spatial directions, 1000 shocks
Vibration resistance		0.75 mm 10 ... 57 Hz , 5 g 57 ... 150 Hz, 20 cycles
Pollution degree		2
Mechanical specifications		
Degree of protection		IP65 in accordance with EN 60529 (not certified by UL)
Connection		PWR: insulation piercing technology Black flat cable Inputs/outputs: M8 round plug connector in accordance with EN 61076-2-104 Inputs: LF004-GS1-A (4-pin, bushing contacts, screw lock, A-coded) Matching connector: LM004-Gx1-A or similar Outputs: NF005-SS1-B (5-pin, bushing contacts, snap lock, B-coded) Matching connector: NM005-Sx1-B or similar Zone coupling: M12 round plug connector in accordance with EN 61076-2-101 X1: M12, 4-pin, bushing contacts, screw-locking, A-coded Female connector: M12, 4-pin, connector contacts, screw-locking, A-coded X2: M12, 4-pin, connector contacts, screw-locking, A-coded Female connector: M12, 4-pin, bushing contacts, screw-locking, A-coded
Mass		310 g
Mounting		2 clips with $\varnothing 8 \text{ mm}$ drill hole
Cable length		1 m (inputs/outputs) , 1.5 m (zone coupling), max. 30 m
Note		The flat cable routing is designed for 100 actuation cycles

Connection



Assembly



Accessories

	V1-G-BK0,75M-PUR-U-V1-G-Y285728	Adapter cable M12 socket straight to M12 socket straight A-coded, 4-pin crossed, PUR cable black, UL approved, drag chain suitable, torsion resistant
	V1S-G-BK0,75M-PUR-U-V1S-G-Y285720	Adapter cable M12 plug straight to M12 plug straight A-coded, 4-pin crossed, PUR cable black, UL approved, drag chain suitable, torsion resistant
	VAZ-ZPA-ANALYZER	Diagnostic adapter for G20 ZPA motor control module

Release date: 2021-02-15 Date of issue: 2021-02-15 Filename: 316971_eng.pdf

Configuration

Configuration Information

The device can be configured using the S1, S2, and S3 rotary switches.

S1 rotary switch: motor speed

8 configurable speeds.

+/- 1 % accuracy

Motor stops at $U_S < 1.5 \text{ V}$

Motor speed	Speed signal U_S
Switch setting	
0	3.96 V
1	4.78 V
2	5.61 V
3	6.44 V
4	8.50 V
5	9.63 V
6	10.00 V
7	7.26 V
8	Reserved
9	Reserved

S2 rotary switch: start/stop ramp and direction of rotation

5 configurable ramps.

Incline: constant, independent of terminal velocity.

Duration: The ramp duration defines the time from stationary to max. speed ($U_S = 10 \text{ V}$) or from max. speed to stationary. When the terminal velocity is lower, the ramp duration is shorter.

Direction of rotation/direction of transportation

Switch setting	Direction of rotation U_D	Direction of transportation
0 ... 4	high, right	Zone 1 -> Zone 2
5 ... 9	low, left	Zone 2 -> Zone 1

Start/stop ramp

Switch setting	Ramp duration (stationary -> V_{\max} or V_{\max} -> stationary)
0, 5	Ramp 1: no ramp (default setting)
1, 6	Ramp 2: 500 ms
2, 7	Ramp 3: 1000 ms
3, 8	Ramp 4: 1500 ms
4, 9	Ramp 5: 3000 ms

S3 rotary switch: operating mode

Note: The inactive zone synchronizes its motor output with the active zone.

Operating mode	Mode	Upstream zone
Switch setting		
0	Standard ZPA	Active
1	Enhanced ZPA	Active
2	Standard ZPA	Inactive
3	Enhanced ZPA	Inactive
4	Transportation	Active
5	Long Zone	Inactive
6	Direct Control	Active
7	Direction Control	Inactive
8	Slave	Inactive
9	Reserved	-

Release date: 2021-02-15 Date of issue: 2021-02-15 Filename: 316971_eng.pdf