

Inductive sensor

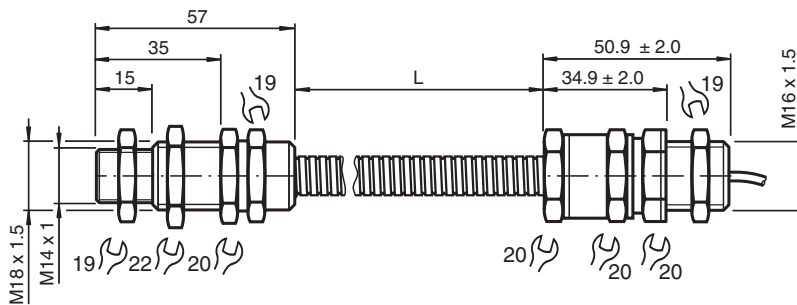
NJ2-11-SN-G-Y317314



■ 2 mm flush



Dimensions



Technical Data

General specifications

| | | |
|----------------------------|-------|----------------------|
| Switching function | | Normally closed (NC) |
| Output type | | NAMUR |
| Rated operating distance | s_n | 2 mm |
| Installation | | flush |
| Assured operating distance | s_a | 0 ... 1.62 mm |
| Reduction factor r_{Al} | | 0.4 |
| Reduction factor r_{Cu} | | 0.3 |
| Reduction factor r_{304} | | 0.85 |
| Output type | | 2-wire |

Nominal ratings

| | | |
|------------------------------|-------|---|
| Nominal voltage | U_o | 8.2 V (R_i approx. 1 k Ω) |
| Switching frequency | f | 0 ... 3000 Hz |
| Suitable for 2:1 technology | | yes, with reverse polarity protection diode |
| Current consumption | | |
| Measuring plate not detected | | ≥ 3 mA |

Release date: 2020-03-24 Date of issue: 2020-03-30 Filename: 317314_eng.pdf

Refer to "General Notes Relating to Pepperl+Fuchs Product Information".

Pepperl+Fuchs Group
www.pepperl-fuchs.com

USA: +1 330 486 0001
fa-info@us.pepperl-fuchs.com

Germany: +49 621 776 1111
fa-info@de.pepperl-fuchs.com

Singapore: +65 6779 9091
fa-info@sg.pepperl-fuchs.com

PEPPERL+FUCHS

Technical Data

| | |
|---|---|
| Measuring plate detected | ≤ 1 mA |
| Functional safety related parameters | |
| MTTF _d | 10660 a |
| Mission Time (T _M) | 20 a |
| Diagnostic Coverage (DC) | 0 % |
| Compliance with standards and directives | |
| Standard conformity | |
| NAMUR | EN 60947-5-6:2000 IEC 60947-5-6:1999 |
| Standards | EN 60947-5-2:2007 EN 60947-5-2/A1:2012 IEC 60947-5-2:2007 IEC 60947-5-2 AMD 1:2012 |
| Approvals and certificates | |
| CCC approval | CCC approval / marking not required for products rated ≤36 V |
| Ambient conditions | |
| Ambient temperature | -40 ... 100 °C (-40 ... 212 °F) |
| Mechanical specifications | |
| Connection type | cable silicone , 2 m Protective hose L = 400 mm |
| Connection assembly | Protective hose stainless steel 1.4301 / AISI 304 screwed connection MS58 nickel-plated |
| Core cross-section | 0.34 mm ² |
| Housing material | Stainless steel 1.4305 / AISI 303 |
| Sensing face | Valox (PBT) |

Connection

