



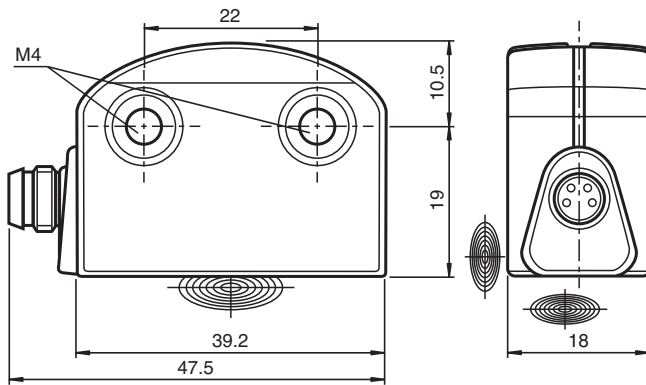
Read head and evaluation unit VAA-1E-IEI3-READER1-S-V31

- No contact bounce
- Precise sensing range thanks to RFID technology
- Tamper-proof thanks to clear assignment of the active tag to the reader
- Individual RFID coding that can be learned multiple times
- Degree of protection IP65 / IP67
- SIL3 / PLe

reading head and control unit non-contact AS-Interface safety switches



Dimensions



Technical Data

General specifications

Detection type		inductive
start-up distance		12 mm embeddable 9 mm non-flush
assured start-up distance	S _{a0}	10 mm embeddable 6 mm non-flush
assured release distance	S _{ar}	max. 18 mm embeddable max. 15 mm non-flush
Node type		Safety-Slave
AS-Interface specification		V2.1
Required gateway specification		≥ V2.0
Hysteresis	H	< 2 mm

Functional safety related parameters

Safety Integrity Level (SIL)		SIL 3
Performance level (PL)		PL e
PFH _d		3.93 E-10 h
PFD		6.89 E-5

Electrical specifications

Rated operating voltage	U _e	18 ... 31.6 V
-------------------------	----------------	---------------

Release date: 2022-01-11 Date of issue: 2022-01-11 Filename: 319858_eng.pdf

Refer to "General Notes Relating to Pepperl+Fuchs Product Information".

Pepperl+Fuchs Group
www.pepperl-fuchs.com

USA: +1 330 486 0001
fa-info@us.pepperl-fuchs.com

Germany: +49 621 776 1111
fa-info@de.pepperl-fuchs.com

Singapore: +65 6779 9091
fa-info@sg.pepperl-fuchs.com

PEPPERL+FUCHS

Technical Data





Power supply	via AS-Interface network
Current consumption	≤ 100 mA
Output	
Number/Type	Dual color-LED, rot/grün : device state LED yellow : read state
Supply	from AS-Interface
Ambient conditions	
Ambient temperature	-25 ... 60 °C (-13 ... 140 °F)
Storage temperature	-25 ... 85 °C (-13 ... 185 °F)
Shock and impact resistance	30 g, 11 ms, all axes
Vibration resistance	1 mm 10 ... 55 Hz
Mechanical specifications	
Housing length	40 mm
Housing width	29.5 mm
Housing depth	18 mm
Degree of protection	IP65/IP67
Connection	M8 connector , 4-pin , A-coded
Material	
Housing	Thermoplastic Hotmelt
Installation	any position
Mass	29 g

Connection Assignment



1	AS-Interface +
2	n.c.
3	AS-Interface -
4	n.c.

Matching System Components

	VAZ-IEI3-TAG1-S	Actuator for non-contact AS-Interface safety switches
	V31-GM-1M-PUR-V1-G	Cordset M8 socket straight to M12 plug straight A-coded, 4-pin, PUR cable grey
	V31-GM-2M-PUR-V1-G	Cordset M8 socket straight to M12 plug straight A-coded, 4-pin, PUR cable grey
	V31-GM-3M-PUR-V1-G	Cordset M8 socket straight to M12 plug straight A-coded, 4-pin, PUR cable grey