



Model number

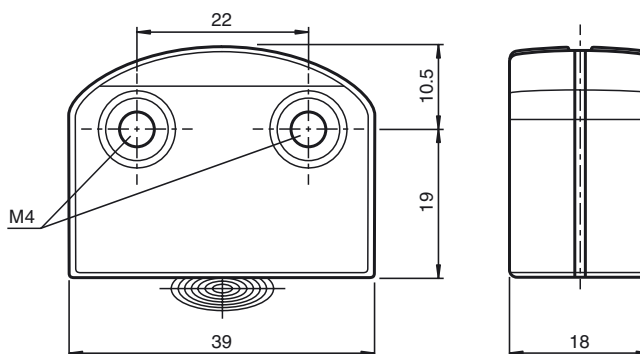
VAZ-IEI3-TAG1-S

Actuator for non-contact AS-Interface safety switches

Features

- Battery-free code carrier

Dimensions



Technical data

General specifications

Detection type inductive

Functional safety related parameters

Safety Integrity Level (SIL) SIL 3

Performance level (PL) PL e

Electrical specifications

Power supply inductive over reading head

Ambient conditions

Ambient temperature -25 ... 70 °C (-13 ... 158 °F)

Mechanical specifications

Material

Housing Thermoplastic Hotmelt

Installation Active surface facing Read head

Mass 20 g

Release date: 2018-08-01 07:57 Date of issue: 2018-08-01 319859_eng.xml