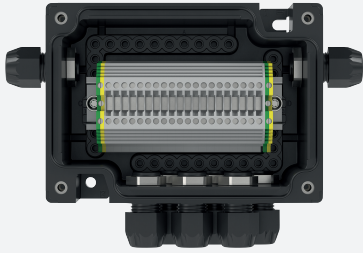


Junction Box Ex e, Glass-Fiber Reinforced Polyester (GRP)

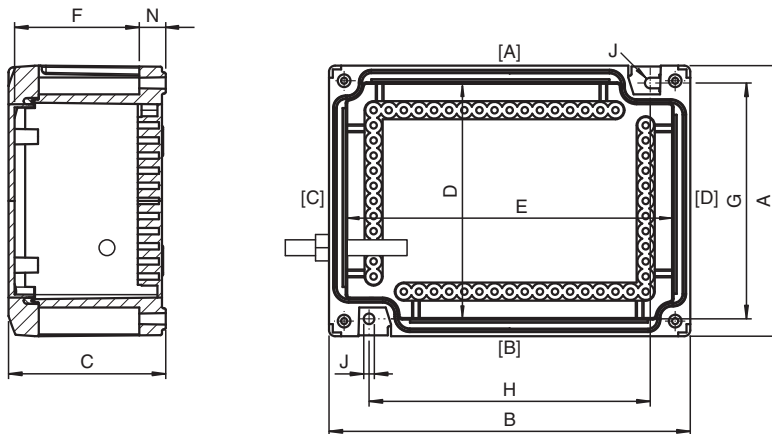
GR.TJE.13.18.09.B-S0001



- Carbon loaded, antistatic glass-fiber reinforced polyester
- Installation in Zone 1, Zone 2, Zone 21 and Zone 22
- Ex e and Ex tb certified
- 129 mm x 179 mm x 91 mm
- Modern design with high impact resistance
- Easy installation due to easily accessible mounting points
- Easy cover opening without damage due to multiple pry points
- Bottom face cable glands polyamide, 6x M20; left side cable gland polyamide, 1x M20; right side cable gland polyamide, 1x M20



Dimensions



Dimension values see data table.
Image and drawing are generic for this device type and may deviate from the specific variant.

Technical Data

Electrical specifications

Operating voltage 690 V AC / DC max. for ATEX / IECEx

Mechanical specifications

Enclosure cover	fully detachable
Cover fixing	
Screws	M6 stainless steel combination Phillips and slotted screw
Number	4
Tightening torque	3.5 Nm
Cover seal	foamed silicone
Degree of protection	IP66
Cable entry	thru-holes
Cable entry face B	
M20 quantity	6

Release date: 2023-02-15 Date of issue: 2023-02-15 Filename: 320192_eng.pdf

Refer to "General Notes Relating to Pepperl+Fuchs Product Information".

Pepperl+Fuchs Group
www.pepperl-fuchs.com

USA: +1 330 486 0002
pa-info@us.pepperl-fuchs.com

Germany: +49 621 776 2222
pa-info@de.pepperl-fuchs.com

Singapore: +65 6779 9091
pa-info@sg.pepperl-fuchs.com

PF PEPPERL+FUCHS

Technical Data

M20 series	Cable Glands, Plastic
M20 type	CG.PEDS1.M20.*
M20 clamping range	6 ... 12 mm
Cable entry face C	
M20 quantity	1
M20 series	Cable Glands, Plastic
M20 type	CG.PEDS1.M20.*
M20 clamping range	6 ... 12 mm
Cable entry face D	
M20 quantity	1
M20 series	Cable Glands, Plastic
M20 type	CG.PEDS1.M20.*
M20 clamping range	6 ... 12 mm
Terminal assembly	
Rail orientation	horizontal
Number of horizontal rails	1
Usable length per horizontal rail	101.5 mm
Terminal type	18 x UT 2.5 2 x UT 2.5 PE
Terminal capacity	2.5 mm ²
Material	
Enclosure	carbon loaded, antistatic glass-fiber reinforced polyester (GRP)
Finish	inherent color black
Mass	
	approx. 1 kg
Dimensions	
External dimension (A)	129 mm
External dimension (B)	179 mm
External dimension (C)	91.5 mm
Internal dimension (D)	106 mm
Internal dimension (E)	156 mm
Internal dimension (F)	69 mm
Mounting holes distance (G)	106 mm
Mounting holes distance (H)	126 mm
Mounting holes diameter (J)	7 mm
Thickness of mounting brackets (N)	18 mm
Mounting	2 screws
Ambient conditions	
Ambient temperature	-40 ... 60 °C (-40 ... 140 °F)
Data for application in connection with hazardous areas	
EU-type examination certificate	CML 17 ATEX 3255X
Marking	⊕ II 2 GD Ex eb IIC T* Gb Ex tb IIIC T** °C Db T6/T80 °C @ Ta +40 °C T4/T130 °C @ Ta +60 °C
International approvals	
IECEx approval	IECEx CML 17.0144X
UKCA approval	CML 21 UKEX 3896X
Further approvals	further on request
Conformity	
Degree of protection	EN60529
CE marking	0102
General information	

Release date: 2023-02-15 Date of issue: 2023-02-15 Filename: 320192_eng.pdf

Refer to "General Notes Relating to Pepperl+Fuchs Product Information".

Pepperl+Fuchs Group
www.pepperl-fuchs.comUSA: +1 330 486 0002
pa-info@us.pepperl-fuchs.comGermany: +49 621 776 2222
pa-info@de.pepperl-fuchs.comSingapore: +65 6779 9091
pa-info@sg.pepperl-fuchs.com
 PEPPERL+FUCHS

Technical Data

Supplementary information

EC-Type Examination Certificate, Statement of Conformity, Declaration of Conformity, Attestation of Conformity and instructions have to be observed where applicable. For information see www.pepperl-fuchs.com.

Release date: 2023-02-15 Date of issue: 2023-02-15 Filename: 320192_eng.pdf

Refer to "General Notes Relating to Pepperl+Fuchs Product Information".

Pepperl+Fuchs Group
www.pepperl-fuchs.com

USA: +1 330 486 0002
pa-info@us.pepperl-fuchs.com

Germany: +49 621 776 2222
pa-info@de.pepperl-fuchs.com

Singapore: +65 6779 9091
pa-info@sg.pepperl-fuchs.com